

DD4™
DDM4®
DD5®

FIREARMS

OPERATION & SAFETY MANUAL

**DANIEL
DEFENSE®**
»» FREEDOM. PASSION. PRECISION.®

DANIEL DEFENSE®

Since selling our first AR in 2009, we work each day to deliver products unmatched in quality, precision, and world-class customer service. More than just a rifle manufacturer, Daniel Defense is represented by its employees, whose hard work and expertise add character to each and every firearm. Speaking for everyone at Daniel Defense, I cannot thank you enough for your business.

You will be satisfied with our products and service.
I guarantee it.

A handwritten signature in black ink that reads "Marty Daniel". The signature is fluid and cursive, with the first name "Marty" and last name "Daniel" clearly legible.

Marty Daniel
Founder, Executive Chairman

CONTENTS

1.0 DANIEL DEFENSE FIREARMS	2
2.0 PRECAUTIONS	5
3.0 SAFETY INSTRUCTIONS	6
3.1 CAUTIONS.....	8
3.2 TRIGGER GUARD	11
3.3 SAFETY SELECTOR LEVER.....	11
3.4 BOLT-LOCKING SAFETY FEATURES	13
3.5 DISCONNECTOR	13
3.6 FAIL-SAFE FIRING MECHANISM	13
3.7 SEPARATION OF UPPER AND LOWER RECEIVERS.....	13
3.8 GRIP-N-RIP AMBIDEXTROUS CHARGING HANDLE.....	14
3.9 DD5 ADJUSTABLE GAS BLOCK	15
4.0 FUNCTION	16
4.0.1 DDM4ISR SOUND SUPPRESSOR FUNCTION	17
4.1 AMMUNITION SELECTION	17
4.1.1 300 AAC BLACKOUT FIREARMS.....	18
4.1.2 DDM4ISR AMMUNITION SELECTION	19
4.2 SIGHTS.....	19
4.2.1 FRONT SIGHT	20
4.2.2 REAR SIGHT	20
4.3 SIGHTING-IN/ZEROING THE FIREARM	20
4.3.1 CONFIRMING ZERO	22
4.4 TIPS ON AIMING	22
4.5 FORWARD ASSIST	23
4.6 ADJUSTABLE BUTTSTOCK.....	23
4.6.1 CHANGING BUTTPAD.....	24
4.7 LOADING	25
4.8 UNLOADING.....	28
4.9 FIRING	29
5.0 MAINTENANCE	32
5.1 STRIPPING FOR CLEANING.....	33
5.2 WHEN TO CLEAN	35
5.3 HOW TO CLEAN.....	35
5.4 LUBRICATING/PRESERVATION.....	38
5.5 CLEANING THE MAGAZINE	39
5.6 CLEANING PROCEDURE FOR DDM4ISR BARREL AND SUPPRESSOR	39
5.7 BARREL CLEANING PROCEDURE (CLEANING ROD, BAFFLE REMOVED).....	40
5.8 STORAGE	42
5.9 SERVICING AND REPAIRING	42
6.0 PARTS ILLUSTRATIONS & LISTS	44
6.1 DDM4 UPPER RECEIVER GROUP PARTS ILLUSTRATION	45
6.2 DDM4 LOWER RECEIVER GROUP PARTS ILLUSTRATION	46
6.3 DD4 LOWER RECEIVER GROUP PARTS ILLUSTRATION.....	47
6.4 DD5 UPPER RECEIVER GROUP PARTS ILLUSTRATION	48
6.5 DD5 LOWER RECEIVER GROUP PARTS ILLUSTRATION.....	49
6.6 DDM4ISR UPPER RECEIVER GROUP PARTS ILLUSTRATION	51
6.7 DD4/DDM4 BOLT CARRIER GROUP PARTS ILLUSTRATION	52
6.8 DD5 BOLT CARRIER GROUP PARTS ILLUSTRATION	53
7.0 WARRANTY STATEMENT	54
8.0 HEALTH AND ENVIRONMENTAL WARNING	54

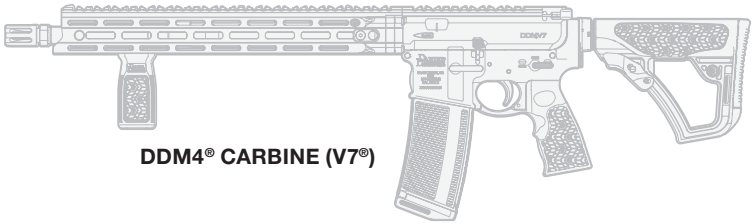
1.0 DANIEL DEFENSE® FIREARMS



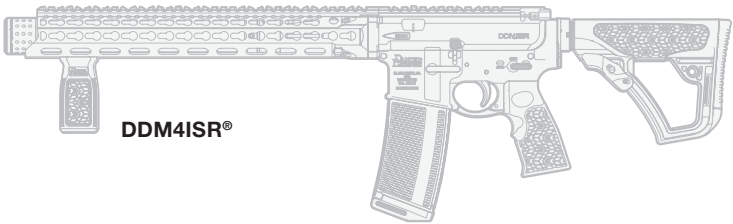
DDM4® PDW SBR



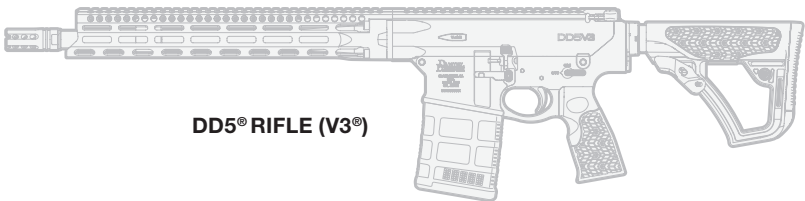
DD4™ CARBINE (RIII™)



DDM4® CARBINE (V7®)



DDM4ISR®



DD5® RIFLE (V3®)

AR 15 ANATOMY

(DD4™ M4A1 RIII™ SHOWN)



AR 10 ANATOMY

(DD5®V3® SHOWN)



2.0 PRECAUTIONS

⚠ DANGER THIS DANIEL DEFENSE PRODUCT IS POTENTIALLY LETHAL! IT IS CLASSIFIED AS A FIREARM OR DANGEROUS WEAPON BY THE BUREAU OF ALCOHOL, TOBACCO, FIREARMS AND EXPLOSIVES.

NOTICE Read and understand the entire user manual before removing the firearm from its package. Your safety and the safety of others requires you to follow the basic instruction on the proper handling and functioning of this Daniel Defense firearm.

⚠ WARNING IF THIS FIREARM IS CARELESSLY OR IMPROPERLY HANDLED, UNINTENTIONAL DISCHARGE MAY RESULT IN OR CAUSE INJURY, DEATH, AND/OR DAMAGE TO PROPERTY.

NOTICE Daniel Defense shall not be responsible for any injury, death, or damage to property resulting from any intentional, unintentional or accidental discharge of the firearm, or from any firearm function when used for any improper purpose for which it was not designed. Daniel Defense will not honor claims involving the firearm that resulted from careless or improper handling, unauthorized use and/or adjustment or unauthorized part(s) replacement, corrosion, neglect, or the use of improper-caliber ammunition, or the use of ammunition other than original, high-grade, commercially available ammunition in good condition, or any combination thereof.

NOTICE Before this firearm left the Daniel Defense facility, it was carefully inspected at every stage on the manufacturing process, built by hand by a trained Daniel Defense armorer, tested by a Daniel Defense quality-assurance inspector, and properly packaged. Daniel Defense cannot control the product after it leaves the Daniel Defense facility; as such, please carefully examine the firearm at the time of purchase to ensure it is unloaded and undamaged. The authorized dealer and/or distributor will assist you in any such examination and answer any question you may have. The user manual should always accompany the firearm. If you lend, give, or sell the firearm, ensure the manual goes with it. Be sure to comply with all relevant federal and local regulations governing the firearm's proper possession and use.

If unfamiliar with firearms, seek further advice through safe-handling courses run by your local gun clubs, NRA-approved instructor, or similar qualified organizations.

3.0

SAFETY INSTRUCTIONS

Regardless of your experience level, we urge you to read this entire instruction manual carefully.

BASIC RULES FOR FIREARM SAFETY

1. **ALWAYS** treat every firearm as if it is loaded.
 - a. Never take anyone else's word that a firearm is unloaded.
 - b. Always visually inspect the chamber yourself (and magazine, if equipped) to ensure that the firearm is completely unloaded even if you just witnessed someone else perform this safety check.
 - c. Always remove the magazine and lock the action to the rear before laying a firearm down or handing someone a firearm.
 - d. Do not load your firearm until you are ready to shoot.
2. **NEVER** point the muzzle of a firearm at anything you are not willing to destroy.
 - a. Pay close attention to the direction of your muzzle at all times when carrying or handling a firearm.
 - b. Always unload a firearm before navigating difficult terrain (i.e., fence crossings, hills, rocky or loose terrain, tree stands, etc.).
3. **ALWAYS** keep your finger off the trigger until your sights are on the target and you're ready to fire.
 - a. Keep your finger on the receiver or trigger guard until you're ready to fire.
4. **ALWAYS** be sure of your target and what's beyond it before firing.
 - a. Understand what is behind your target should the bullet pass through it.
 - b. Understand where the bullet could go should you miss your target.
 - c. Make sure your backstop is adequate to stop your bullets and large enough to block any misplaced shots.
 - d. Never shoot at or near rocks, hard surfaces, water, or any other surfaces that may cause a ricochet or a bullet to veer off course and potentially cause injury, death, and/or damage.
5. **NEVER** leave a firearm unattended or unsecured.
 - a. Someone, including a child, could improperly handle it and cause damage, injury, and/or death with an unattended or unsecured firearm.
 - b. Always instruct children and others in your household to respect firearms and stress all aspects of firearm safety.
 - Refer to a qualified instructor for help in training, and supervise all activities closely.
 - c. **YOU ARE RESPONSIBLE FOR YOUR FIREARM!**

⚠WARNING IF YOU PULL OR DEPRESS THE TRIGGER, INTENTIONALLY OR UNINTENTIONALLY, EXPECT THE FIREARM TO FIRE. YOUR CAREFUL ADHERENCE TO SAFETY RULES MAY HELP PREVENT AN ACCIDENTAL DISCHARGE AND ANY RESULTING ACCIDENTAL INJURY, PROPERTY DAMAGE, AND/OR DEATH. YOU ARE FULLY RESPONSIBLE FOR THE SAFE USE OF ANY FIREARM IN YOUR POSSESSION AND FOR ANY DAMAGE, INJURY, AND/OR DEATH CAUSED BY IT.

⚠WARNING THIS FIREARM MAY DISCHARGE WHEN A ROUND IS FED INTO THE CHAMBER OR IF IT IS DROPPED OR JARRED, REGARDLESS OF THE POSITION OF THE SAFETY SELECTOR AND WITHOUT THE TRIGGER BEING DEPRESSED OR PULLED. THEREFORE, EXTRA CARE AND STRICT ADHERENCE TO THE INSTRUCTIONS CONTAINED WITHIN THIS USER MANUAL BY THE FIREARM USER IS ESSENTIAL FOR MINIMIZING THE RISK OF ACCIDENTAL PROPERTY DAMAGE, INJURIES, AND/OR DEATH.

⚠WARNING WHEN THERE IS A ROUND IN THE CHAMBER, THE ROUND WILL DISCHARGE IF THE TRIGGER IS PRESSED. IT IS ABSOLUTELY ESSENTIAL FOR THE USER TO KNOW HOW TO COMPLETELY UNLOAD THE FIREARM. "COMPLETELY" MEANS EMPTYING THE MAGAZINE AND REMOVING A CHAMBERED ROUND. REMOVING THE MAGAZINE FROM THE FIREARM DOES NOT PREVENT IT FROM BEING FIRED. A FIREARM WILL FIRE A CHAMBERED ROUND EVEN WITH MAGAZINE REMOVED.

3.1

CAUTIONS

▲ EQUIPMENT CAUTIONS

ALWAYS BE SURE THE CHAMBER, BORE, SUPPRESSOR (IF EQUIPPED), AND ACTION ARE CLEAN AND CLEAR OF OBSTRUCTIONS. Keep your firearm clean and well lubricated to ensure it will function correctly and safely.

1. **ALWAYS USE HIGH-QUALITY, COMMERCIALY MANUFACTURED AMMUNITION THAT IS CLEAN, DRY, IN GOOD CONDITION, AND OF THE APPROPRIATE CALIBER FOR YOUR FIREARM.** Firearm and ammunition manufacturers design their products within exacting engineering safety limits. Hand-loaded and re-manufactured ammunition are sometimes outside those limits and can potentially cause malfunctions or damage to the firearm as well as cause injury, death, or damage to other property.
2. **ALWAYS CHECK THAT AMMUNITION IS CLEAN AND UNDAMAGED BEFORE USING THE FORWARD ASSIST.** Forcing damaged ammunition into the chamber could damage your firearm and could result in injury, death, or damage to property.

▲ SHOOTING CAUTIONS

1. **NEVER** consume alcohol or take drugs when handling firearms.
 - a. Seek the advice of a qualified doctor if you are taking medication to ensure you are fit to shoot and handle your firearm safely.
2. **ALWAYS** wear personal protective equipment (PPE), including but not limited to safety shooting glasses and ear protection, when shooting or near others who are shooting.
 - a. Failure to use proper ear protection will cause permanent hearing damage.
 - b. Failure to use protective shooting glasses can result in damage to eyes and blindness from flying particles, propellant gases, ricocheting fragments, and other debris.
 - c. Always encourage spectators and others nearby to wear PPE.
3. **ALWAYS** keep your firearm's safety selector set to the "SAFE" position until your sights are on your target and you are ready to fire.
4. **ALWAYS** be careful of the direction your ejection port is pointed.
 - a. Spent cartridges are ejected with enough force to cause injury to those standing near the shooter.
 - b. If the ejection port is obstructed your firearm will malfunction, becoming jammed with spent cartridges.
 - c. Never place fingers in ejection port as they could be burned by hot metal or injured by the bolt moving forward.
5. **NEVER** put your finger in the trigger guard until your sights are on the target and you are ready to shoot.
 - a. Keep your trigger finger on the receiver, beneath the magazine button, when you are not ready to fire.
6. **ALWAYS** be sure of your target and what is beyond it.

- a. Bullets can travel great distances and still cause great damage and even death.
 - b. If there is any doubt about your target or backstop or anything else, **DO NOT SHOOT!**
7. **NEVER** fire a firearm if you suspect water is in the barrel or gas tube.
 - a. If your firearm is exposed to heavy rain, fog, or other sources of water, open the bolt and allow water to drain before firing.
 - b. Be sure to clean and lubricate a wet firearm as soon as possible.
 8. **NEVER** shoot your firearm near any flammable or explosive materials.
 - a. Understand that flames may exit from your muzzle or ejection port.
 9. **NEVER** fool around or act carelessly when handling or being around firearms.
 - a. Your carelessness can result in severe damage, injury, or death.
 10. **NEVER** follow another person when your firearm is loaded and ready to fire.
 - a. Keep the safety selector set to "SAFE."
 - b. Always pay attention to and control the direction of the muzzle.

▲ MALFUNCTION CAUTIONS **IF YOU EXPERIENCE A FAILURE TO FIRE:**

1. **ALWAYS** keep the firearm pointed in a safe direction.
2. Wait 30 seconds.
 - a. If a hang fire (slow ignition) has occurred, the round will fire within 30 seconds. If round still does not fire after 30 seconds:
 - Cycle the bolt to eject the round.
 - Examine the primer.
 - If the firing pin indent on the primer is light, off center, or nonexistent, have your firearm examined by a competent gunsmith before continuing to fire.
 - If the firing pin indent on primer appears normal (in comparison with similar previously fired rounds), assume faulty ammunition; segregate the misfired round from all other live ammunition and empty cases, reload, and continue firing.

NOTE 1: It is normal for a light firing pin indent to appear on the primer of cartridges that have been fed into the chamber but not fired.

NOTE 2: Dispose of any misfired rounds in accordance with the ammunition manufacturer's instructions.

▲ CLEANING AND STORAGE CAUTIONS

1. **ALWAYS** make sure your firearm is completely UNLOADED before you attempt to clean or store your firearm.
2. **ALWAYS** store your firearm and ammunition SEPARATELY and SECURELY out of reach of anyone who should not have access to them.
 - a. Keep it out of reach of children and others who are not trained in the safe handling of firearms.
 - b. Keep firearms and ammunition locked securely when not in use to prevent them entering the wrong hands.

▲ FIREARM ABUSE CAUTIONS

1. **NEVER** abuse or mistreat your firearm.
 - a. Keep, carry, and use it carefully.
2. **NEVER** use it for any purpose other than shooting.
3. **NEVER** dry fire when the upper is separated from the lower.
 - a. The hammer can permanently damage the lower receiver.
4. **NEVER** alter parts.

▲ SUPPRESSOR HANDLING CAUTIONS (DDM4ISR)

1. **ALWAYS ENSURE THAT THE MONOLITHIC BAFFLE IS SECURE IN THE SUPPRESSOR ASSEMBLY BEFORE SHOOTING.**
 - a. Upon cleaning or performing maintenance on the suppressor assembly, always ensure that the baffle is securely tightened in place before firing (See Section 5.6 DDM4ISR Sound Suppressor Maintenance for more details).
 - b. Serious injury may result from improper baffle installation.
2. **NEVER DISCHARGE THE FIREARM WITH ANY LIQUID INSIDE OF THE SUPPRESSOR ASSEMBLY.**
 - a. The presence of liquid may induce dangerous pressure fluctuations upon firing.
 - b. Doing so may result in damage to the firearm, serious injury, or both.
 - c. Always carefully remove any liquid (oils, solvents, etc.) before shooting.
3. **SUPPRESSOR WILL GET EXTREMELY HOT.** The suppressor will become extremely hot when fired and can retain heat for a long time.
4. **ALWAYS** be cautious of hand placement and the proximity of the suppressor assembly to others and flammable objects.
5. **ALWAYS** be careful not to rest the hot suppressor against anything you don't want to damage, injure, or melt with heat.
6. **ANY MAINTENANCE REQUIRED PAST WHAT IS DESCRIBED IN THIS MANUAL SHOULD ONLY BE ATTEMPTED BY A QUALIFIED GUNSMITH.**
 - a. Modifying or attempting to remove suppressor components other than the monolithic baffle may result in illegal modifications to the sound suppressor.
7. Contact Daniel Defense for any questions about repairing damaged components or further troubleshooting.

3.2

TRIGGER GUARD

The trigger guard is the strip below the trigger to protect it from damage and to help prevent accidental discharge. The integrated trigger guard on Daniel Defense firearms features radiused and beveled edges to accommodate shooters wearing gloves.

⚠ WARNING KEEP YOUR FINGER OUT OF THE TRIGGER GUARD UNTIL YOU ARE READY TO SHOOT.

⚠ WARNING USE EXTRA CAUTION WHEN USING GLOVES TO AVOID AN ACCIDENTAL/NEGLIGENT DISCHARGE.

3.3

SAFETY SELECTOR LEVER

DD4™ / DDM4® / DD5® Firearms

The safety selector lever is located on both sides of the lower receiver and has two positions: “SAFE” and “SEMI.” When set to “SAFE”, a cam bears upon the rear portion of the trigger, blocking the sear surface of the trigger and preventing the hammer from being released.

When set to “SEMI,” the firearm will fire a single shot each time the trigger is squeezed without manually reloading.



SAFE (DD4/DDM4)



SEMI (DD4/DDM4)



SAFE (DD5)



SEMI (DD5)

Daniel Defense® Full Auto Firearm

Some law enforcement and military platforms feature a three-position safety selector, “SAFE,” “SEMI,” and a third position for fully automatic.

When set to “SAFE,” a cam bears upon the rear portion of the trigger, blocking the sear surface of the trigger and preventing the hammer from being released.

When set to “SEMI,” the firearm will fire a single shot each time the trigger is squeezed without manually reloading.

When set to the third position, “AUTO,” the firearm will fire continuously until either the trigger is released or the magazine is empty.



SEMI



AUTO

NOTE: The safety featured on Daniel Defense firearms is a mechanical safeguard. As with all mechanical systems, failures within this system are possible and may not be visible to the operator. Activating the safety selector lever to the “SAFE” position does not mean the firearm is incapable of firing if mishandled or dropped.

3.4

BOLT-LOCKING SAFETY FEATURES

The firearm can fire only when the bolt is fully locked to the barrel extension. The bolt carrier is designed in such a way that the firing pin cannot come in contact with the primer of the cartridge when the bolt is not locked to the barrel extension. When chambering the round, the bolt carrier moves forward over the bolt, rotating it to the fully locked position within the barrel extension, allowing the firing pin to advance forward when struck by the hammer, igniting the cartridge primer. This prevents the cartridge from being fired before it is fully chambered and the bolt is fully rotated (locked) to the barrel extension. Even with the bolt locked, using improper ammunition or firing with the barrel obstructed, could lead to damage of your firearm and can result in injury, death, or damage to property.

3.5

DISCONNECTOR

The disconnector is part of the firing mechanism that prevents the firearm from firing more than one time per trigger pull. As the hammer is cocked after each shot by the rearward movement of the bolt carrier, the disconnector engages the hammer to hold it rearward until the trigger is released. When the trigger is released, you will hear a “click” as the retention of the hammer passes from the disconnector to the sear surface of the trigger, making the rifle ready to fire again with the next trigger pull.

3.6

FAIL-SAFE FIRING MECHANISM

In case of any failure of the firing mechanism, the top of the hammer and the underside of the carrier are machined in such a way that, if the hammer was not held rearward by the disconnector trigger sear surface, then the hammer would ride under the carrier and drop into engagement with the back of the firing pin to stop or prevent firing.

3.7

SEPARATION OF UPPER AND LOWER RECEIVERS

The lower receiver can be separated from the upper receiver by pushing in the takedown pin and pivot pin from left to right. If the pins are stiff, you can use the supplied chamber flag as a punch to push them in.

NOTE: The bolt carrier group must be in the full forward position in order to separate the upper receiver from the lower receiver.

3.8

GRIP-N-RIP® AMBIDEXTROUS CHARGING HANDLE

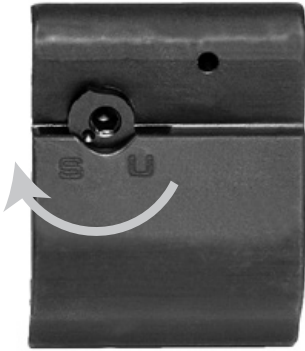
DD4, DDM4 and DD5 platforms include an ambidextrous GRIP-N-RIP Charging Handle. Manipulating either handle moves only the latch giving an identical pull from both sides. The handle has been optimized for grip comfort without being overly bulky and getting in the way of obstacles or hazards. The GRIP-N-RIP charging handle will fit on any AR-15 pattern rifle, and the AR-10 version will fit on DPMS (Gen I) pattern rifles.



3.9

DD5® ADJUSTABLE GAS BLOCK

The DD5 Adjustable Gas Block is a two-position adjustable gas block designed with suppressors in mind. The gas block has a 90-degree throw between the unsuppressed and suppressed modes. A unique feature of the gas block is that it can be quickly adjusted through the side of the firearm's handguard by rotating the throw lever with the DD supplied Allen wrench.



SUPPRESSED

If firing Suppressed, turn the adjustment screw clockwise until the indicator is pointing at S.



UNSUPPRESSED

If firing Unsuppressed, turn the adjustment screw counterclockwise until the indicator is pointing at U.



Watch video instructions

4.0

FUNCTION

Daniel Defense firearms have semi-automatic actions. With the action cocked, chamber loaded, and selector lever set to “SEMI,” the firearm may be fired by squeezing the trigger. The trigger pivots, disengaging the trigger sear surface from the hammer. The hammer spring drives the hammer forward to strike the firing pin, which in turn strikes the primer in the base of the cartridge, igniting the priming compound, which ignites the main powder charge. High-pressure gases produced by the powder charge push the bullet down the barrel, where rifling grooves impart a stabilizing spin to the bullet. As a bullet passes the gas port (a small hole in the top of the barrel below the gas block), gas escapes through the port, flows through the gas tube into the bolt carrier chamber, driving the bolt carrier group rearward. As the bolt carrier moves to the rear, the firing pin is withdrawn into the bolt while the cam track in the bolt carrier acts upon the bolt cam pin, causing the bolt to rotate until its locking lugs are no longer in engagement with the lugs of the barrel extension. The bolt is now unlocked and is carried rearward by the bolt carrier. The extractor extracts the spent case and holds it against the face or bolt until the ejector throws the spent case through the ejection port. The bolt carrier group continues rearward, compressing the action spring and returning the hammer to its cocked position until the buffer assembly strikes the bottom of the receiver extension and stops. The action spring then forces the bolt carrier group forward as the face of the bolt pushes the next round of ammunition from the magazine and thrusts it into the chamber. Simultaneously, the extractor snaps into the groove of a cartridge case and the bolt locks into the barrel. The hammer is now held rearward by the disconnecter until the trigger is released, causing the disconnecter to rotate back, releasing the hammer. Before the disconnecter’s hook actually releases the hammer, the trigger sear surface has rotated in front of the hammer notch so the hammer is held on the trigger sear surface, making the firearm ready for another shot. Upon cycling the last shot from the magazine, the bolt catch is pushed upward by the magazine’s follower, catching the bolt before it travels forward, locking it to the rear. With the bolt now locked open, the user can remove the empty magazine, replace it with a loaded one, and press the bolt catch paddle to disengage the bolt catch and load a live round into the chamber (be sure to follow safe loading procedures).

⚠ WARNING THIS IS A SEMI-AUTOMATIC FIREARM AND IS LOADED AND READY TO FIRE AFTER EACH SHOT UNTIL THE MAGAZINE IS EMPTY. TO UNLOAD THE FIREARM, THE MAGAZINE MUST BE REMOVED AND THE BOLT CARRIER GROUP MUST BE PULLED TO THE REAR BY THE CHARGING HANDLE TO EXTRACT ANY REMAINING ROUND FROM THE CHAMBER.

4.0.1

DDM4ISR® SOUND SUPPRESSOR FUNCTION

The DDM4ISR utilizes a specially designed Integral Sound Suppressor (or silencer) to reduce the noise signature, muzzle flash, and recoil of the discharging firearm. Upon exiting the muzzle, a fired projectile is followed by extremely hot propellant gases and unburned powder exiting at a very high velocity. This phenomenon is the cause for the loud muzzle blast associated with the discharge of a firearm. With the use of a sound suppressor, the muzzle blast is effectively contained and controlled, resulting in more gradual pressure reduction and a subsequently less violent muzzle blast. In addition, the design of the DDM4ISR fully integrates the suppressor with the barrel and gas system of the host firearm. By doing so, a larger interior volume can be exploited to reduce back pressure that would otherwise force more fouling back into the firearm's barrel and upper receiver. A proprietary gas block has also been incorporated to allow functioning of both supersonic and subsonic loads without any additional modifications to the action of the firearm.

4.1

AMMUNITION SELECTION

⚠ WARNING NEVER USE AMMUNITION NOT SPECIFICALLY DESIGNATED FOR USE IN YOUR FIREARM. FAILURE TO USE THE SPECIFIC CARTRIDGE INTENDED FOR THIS FIREARM MAY CAUSE THE RIFLE TO JAM, FAIL TO FIRE, OR EVEN GENERATE EXCESSIVE GAS PRESSURE, WHICH MAY DAMAGE OR DESTROY THE RIFLE, CAUSING PERSONAL INJURY, DEATH, AND/OR PROPERTY DAMAGE.

Daniel Defense recommends that you only use high-quality, commercially available ammunition that is clean, dry, in good condition and of the appropriate caliber for your firearm. The use of re-manufactured or hand-loaded ammunition is not recommended. If you have any questions about the suitability of a particular type of ammunition, please contact the ammunition manufacturer or Daniel Defense Technical Support for more information.

All Daniel Defense firearms are designed to function with a variety of brands and types of factory-manufactured ammunition in the appropriate caliber. Ammunition, and in particular, the projectiles the ammunition is loaded with are designed for a particular task, such as long-range target shooting, frangible target shooting, personal/home defense, big-game hunting, varmint hunting, etc. It is important to choose ammunition that is appropriate for the application. Consult the information provided by the ammunition manufacturer when choosing the appropriate ammunition.

NOTICE It is very important to choose the appropriate ammunition (velocity and bullet design) for the intended application.

⚠ WARNING FORCING DAMAGED OR INCORRECT AMMUNITION INTO THE CHAMBER MAY DAMAGE YOUR FIREARM AND/OR RESULT IN INJURY, DEATH, OR DAMAGE TO PROPERTY.

Daniel Defense recommends that after you read and understand this manual, you go to the range and fire different types of ammunition of the appropriate caliber and bullet design for your firearm and its intended use (target shooting, hunting, etc.). Once you find the ammunition that functions best for your application, keep using it. To protect you and others from danger, and your firearm from being severely damaged, Daniel Defense does not recommend the use of any hand-loaded or re-manufactured ammunition.

DD4™ / DDIM4®	FIREARM		SUITABLE AMMUNITION			
	CHAMBERED FOR					
		.223 Remington	5.56x45mm NATO	6.8 SPC (6.8x43mm)	300 AAC Blackout	.300 Whisper
	5.56x45mm NATO	YES	YES	NO	NO	NO
	300 AAC Blackout	NO	NO	NO	YES	YES
	6.8 SPC II	NO	NO	YES	NO	NO

DD5®	FIREARM		SUITABLE AMMUNITION		
	CHAMBERED FOR				
		7.62x51mm NATO	.308 Winchester	6.5 Creedmoor	.260 Remington
	7.62x51mm NATO	YES	YES	NO	NO
	6.5 Creedmoor	NO	NO	YES	NO
	.260 Remington	NO	NO	NO	YES

4.1.1 300 AAC BLACKOUT FIREARMS

NOTICE Not all ammunition will produce the same results.

All Daniel Defense firearms chambered in 300 AAC BLACKOUT are designed to function with a variety of brands and types of factory-manufactured ammunition in the appropriate caliber. These platforms were designed to be shot suppressed and unsuppressed utilizing various types of supersonic and subsonic ammunitions. Many subsonic types of ammunition are designed to be fired in conjunction with a sound suppressor. Testing indicates firing certain types of subsonic ammo without a sound suppressor can lead to failure-to-cycle issues and is not recommended.

4.1.2

DDM4ISR® AMMUNITION SELECTION

RELEVANT TERMS:

SPEED OF SOUND: Approximately 1,126 feet per second (depending on altitude, temperature, humidity, etc.)

SUBSONIC AMMUNITION: Ammunition loaded to travel slower than the speed of sound

SUPERSONIC AMMUNITION: Ammunition loaded to travel faster than the speed of sound

MUZZLE FLASH: The visible light produced by the combustion of unburned gunpowder mixing with ambient air

MUZZLE BLAST: The sound of escaping gases after the bullet leaves the barrel, produced by the gunpowder, which causes the “report” of a gunshot

BULLET CRACK: The sound associated with the collision of the shockwaves created by an object traveling through the air faster than the speed of sound

The DDM4ISR chambered in 300 AAC Blackout is designed to function with a variety of brands and types of factory-manufactured ammunition in the appropriate caliber, loaded to both supersonic and subsonic velocities. The DDM4ISR’s integral suppressor is very effective at reducing both muzzle blast and muzzle flash. The other sound component sometimes found in gun shots is the “crack” of a supersonic projectile, which cannot be reduced by any silencer or suppressor. Ammunition for the 300 AAC Blackout and .300 Whisper can be purchased, usually around 190-220 grains, which are loaded with a powder charge that accelerates the projectile to just under the speed of sound. Subsonic 300 AAC Blackout ammunition often produces the best reduction in perceived sound in the DDM4ISR platform. Supersonic 300 AAC Blackout ammunition generally utilizes projectiles from 110 grains and up, accelerated to speeds faster than that of sound. Supersonic ammunition often offers a flatter trajectory and delivers more energy to the target.

4.2

SIGHTS

Depending on the particular platform, your firearm may have a mechanical sighting system, which allows you to adjust for variations in windage (horizontal adjustment) and elevation (vertical adjustment). The rear sight is adjustable for windage and the front sight is adjustable for elevation. The firearm has indexing numbers (T-Marks) on the mounting rails of the upper receiver and handguard to show locations for mounting accessories such as sights and optics. These indexing numbers allow the user to safely place the accessory back in the same location where it was mounted before being removed.

If your Daniel Defense firearm does not include mechanical sights, you can purchase the Daniel Defense Fixed Front/Rear Sight combo (SKU 19-088-09116) from an authorized dealer or from **DanielDefense.com**.

4.2.1

FRONT SIGHT

The front sight post can be adjusted up or down for elevation to establish the point of bullet impact (zeroing). You may zero at any range (distance) you like, but after zeroing, the front sight post should not be moved again. The standard location for the Daniel Defense Rail Mounted Front Sight is the second-to-last T-Mark. The amount of change in elevation per click varies depending on the sight radius (distance between front and rear sight). **See adjustment table on SECTION 4.3.**

4.2.2

REAR SIGHT

If your firearm is equipped with a Daniel Defense A1.5 Rear Sight, the large aperture can be flipped back to bring the small aperture into use. A windage wheel on the right side of the sight can be turned to move the aperture to the right or left to adjust for windage (side to side). The standard location for the A1.5 Rear Sight is with the mounting screw on indexing mark T-1 of the upper receiver. The amount of change in windage per click varies depending on the sight radius (distance between front and rear sight).

See adjustment table on SECTION 4.3.

4.3

SIGHTING-IN/ZEROING THE FIREARM

RELEVANT TERMS:

MINUTE OF ANGLE (MOA) = 1/60th of a degree = 1.047 Inches @ 100 yards

1 YARD = 0.91 Meters

1 METER = 1.09 Yards

1 INCH = 2.54 Centimeters

1 CENTIMETER = 0.39 Inches

TRAJECTORY: the path followed by a projectile

ZERO: the distance where the shooter's line of sight and the bullet's trajectory meet

The purpose of sighting-in or "zeroing" your firearm is to confirm that your rounds strike the target where you expect them to. The operator of the firearm must decide at which distance to zero the firearm, taking into consideration how the firearm is likely to be used.

NOTICE The trajectories will vary depending on caliber, ammunition type, wind, temperature, altitude, angle to the target, and many other variables.

If you are using any optics, please follow the sighting-in information provided by the manufacturer of the sighting system. The following is the procedure to sight in your Daniel Defense mechanical sights:


1. Be sure firearm is clean and properly maintained.
2. Confirm rear sight has small aperture in the up position.
3. Based on preference, decide whether to use “CENTER HOLD” or “6 O’CLOCK HOLD,” and stick to it while sighting-in your firearm.




4. Carefully aim at the target, take your time, and fire five rounds.
5. If the middle of your shot group is not centered on the target in ELEVATION, measure the distance up or down from the center of the target. Adjust the FRONT sight post by depressing the sight plunger, then turn the number of clicks calculated from the following chart:

ELEVATION CHANGE IN POINT OF IMPACT (FRONT SIGHT ADJUSTMENT)			
VERTICAL CHANGE OF IMPACT PER CLICK			
MOA	INCHES @ 25Y	INCHES @ 50Y	INCHES @ 100Y
1.3	0.35"	0.7"	1.4"

DATA ASSUMES: Rear sight @ T1 and Front Sight @ T-51
 Adjustment values will vary slightly based on sight radius

To move next shot group **UP**, turn front sight post **CLOCKWISE** 

To move next shot group **DOWN**, turn front sight post **COUNTERCLOCKWISE** 

6. If your shot group is not centered on the target in WINDAGE, measure the distance from the center of the target. Adjust the REAR sight by rotating the windage wheel on the right side the number of clicks you calculate from the following chart:




WINDAGE CHANGE IN POINT OF IMPACT (DD A1.5° REAR SIGHT)			
HORIZONTAL CHANGE OF IMPACT PER CLICK			
MOA	INCHES @ 25Y	INCHES @ 50Y	INCHES @ 100Y
1	0.25"	0.5"	1.0"

DATA ASSUMES: Rear sight @ T1 and Front Sight @ T-51

Adjustment values will vary slightly based on sight radius

To move next shot group **RIGHT**, turn front sight post **CLOCKWISE** 

To move next shot group **LEFT**, turn front sight post **COUNTERCLOCKWISE** 

7. Repeat firing groups of five rounds and adjust the sights as described above until you are satisfied that the group is where you want it on the target. Your sights are now zeroed.



4.3.1 CONFIRMING ZERO

You should confirm zero or re-zero your firearm if you change ammunition, you travel to areas with new climate or atmospheric conditions, drop your firearm (check for damage before firing), remove and reattach sights or barrel, or change other parts of your firearm. After making sure your firearm is clean and in good condition, carefully aim at the target, take your time and fire five rounds. If your shot group is not where you intended it to be, re-zero your firearm using the steps described in Section 4.3.

4.4 TIPS ON AIMING

1. Relax, hold steady, and don't hold your breath.
2. Keep firearm level and do not tilt it sideways.
3. Keep tip of front sight in center of rear sight aperture.
4. Focus on tip of front sight, not on target.
5. When sight picture is correct, carefully squeeze trigger.

4.5

FORWARD ASSIST

The forward assist allows you to help the bolt lock into the barrel, but it will only be useful on rare occasions when the bolt fails to lock automatically. When you must use the forward assist, it is usually time for you to clean your firearm, paying particular attention to the cleanliness of the chamber and bolt. Hunters may find the forward assist useful when trying to load their firearms more quietly in the field. This is done by releasing the bolt slowly with the charging handle and then pushing the forward assist, forcing the extractor to engage the cartridge rim and locking the bolt into the barrel extension.



4.6

ADJUSTABLE BUTTSTOCK

Daniel Defense rifles are equipped with a six-position collapsible buttstock, (seven-position for DD5 rifles). To extend or collapse the buttstock, press the front end of the release lever up against the buttstock and slide the buttstock forward or backward and release the lever to lock the buttstock at the desired position.



4.6.1

CHANGING BUTT PAD

The buttstock equipped on Daniel Defense rifles can be customized with two different butt pads or run with no butt pad at all. To change or remove the butt pad, use the following steps:

REMOVAL

1. Remove the two mounting screws from the butt pad with 1/8" hex wrench.
2. Remove the butt pad, bottom first, sliding down.



ATTACHING BUTT PAD

1. Slide the butt pad up, top first, ensuring its tab fits behind the top of buttstock.
2. Replace the two mounting screws and hand tighten with 1/8" hex wrench.



4.7

LOADING

⚠️ WARNING READ AND UNDERSTAND ALL SAFETY INSTRUCTIONS BEFORE LOADING YOUR FIREARM (SECTION 3) - KEEP YOUR FIREARM POINTING IN A SAFE DIRECTION AND DO NOT TOUCH THE TRIGGER UNTIL YOU KNOW YOUR TARGET AND ARE READY TO SHOOT.

⚠️ WARNING ALWAYS CHECK THAT AMMUNITION IS CLEAN, UNDAMAGED, AND THE CORRECT CALIBER IS MATCHED WITH THE SAME CALIBER THAT THE FIREARM IS CHAMBERED IN.

⚠️ WARNING FORCING DAMAGED OR INCORRECT AMMUNITION INTO THE CHAMBER MAY DAMAGE YOUR FIREARM AND/OR RESULT IN INJURY, DEATH, OR DAMAGE TO PROPERTY.

FIREARM CHAMBER	CORRECT MAGAZINE	MATCH AMMUNITION CALIBER
5.56x45mm NATO	DD Magazine marked 5.56 for AR15/M16 or equivalent magazines	5.56 NATO/.223 Rem
300 AAC Blackout	PMAG 300 BLK for AR15/M16 or equivalent magazines	300 AAC Blackout
6.8 SPC II, 6.8x43mm	PRI 6.8x43mm or equivalent magazines	6.8 SPC
7.62x51mm NATO	PMAG Gen M3 for LR/SR or equivalent magazines	7.62 NATO/.308 WIN
.308 Winchester	PMAG Gen M3 for LR/SR or equivalent magazines	7.62 NATO/.308 WIN
.260 Remington	PMAG Gen M3 for LR/SR or equivalent magazines	.260 Rem
6.5 Creedmoor	PMAG Gen M3 for LR/SR or equivalent magazines	6.5 Creedmoor

TO LOAD A MAGAZINE:

1. Use only ammunition recommended in this instruction manual as suitable for your firearm and application. The caliber your firearm is chambered in will be engraved on the barrel near the chamber.
2. Examine the ammunition, particularly on and around the primer. Look for dents, scratches, and other signs of damage. Do not load damaged ammunition.
3. With the short end of the magazine facing forward, place a round between the lips of the magazine with the bullet forward. Press the round down until it is held by the magazine lips. Place next round on top of previous round and repeat until desired number is loaded.



⚠WARNING TO MINIMIZE RISK OF UNINTENTIONAL DAMAGE, LOAD LIVE AMMUNITION INTO YOUR MAGAZINE ONLY WHEN YOU ARE ABOUT TO SHOOT.

TO LOAD THE FIREARM:

⚠WARNING THE BOLT CARRIER GROUP BEING LATCHED OPEN IS NOT A SAFE CONDITION WHEN A LOADED MAGAZINE IS INSTALLED.

1. Remove empty magazine by depressing magazine catch, which is located on the right side of the lower receiver (or on both sides of the DD4 or DD5), and extract magazine from the magazine well.



2. Press on the bottom part of the bolt catch while grasping and pulling back on the charging handle, leaving the bolt and carrier latched open to the rear.
3. Return charging handle fully forward until it locks and remove finger from bolt catch.
4. Set safety selector lever (located on both sides of the lower receiver) to "SAFE"; this will lock the trigger.



5. With bullet points facing forward, insert the loaded magazine into the magazine well and push upward until it stops and is locked by the magazine catch.

When the magazine is inserted, pull down on the magazine to ensure it is fully seated in the magazine well.

NOTE: Most common magazines loaded to full capacity cannot be seated in any AR15/M4/M16 platform if the bolt is forward. To seat a fully-loaded magazine, be sure the bolt is locked to rear with the bolt catch.

6. Keeping fingers away from the ejection port and muzzle pointed in a safe direction, press in on top of the thumb piece of the bolt catch. This will release the bolt carrier group to move forward and feed a round from the magazine into the chamber.

⚠ DANGER THE FIREARM IS NOW LOADED WITH A ROUND IN THE CHAMBER AND THE HAMMER IS COCKED.

7. You may now close the ejection port dust cover if you wish. The cover is located on the right-hand side of the upper receiver and will open automatically when the first round is fired.

⚠ DANGER NEVER LEAVE YOUR FIREARM COCKED AND READY TO FIRE WITHOUT THE SELECTOR LEVER SET TO "SAFE," AS THIS IS THE FIRE CONDITION AND IS EXTREMELY DANGEROUS. YOUR FIREARM CAN EASILY BE ACCIDENTALLY DISCHARGED, CAUSING INJURY, DEATH, OR DAMAGE TO PROPERTY.



⚠ WARNING THIS FIREARM MAY DISCHARGE ACCIDENTALLY WHEN A ROUND IS FED INTO THE CHAMBER IF IT IS DROPPED OR RECEIVES A BLOW TO THE MUZZLE OR FRONT OF THE FIREARM (THIS CAN OCCUR REGARDLESS OF THE POSITION OF THE HAMMER OR ANY OF THE VARIOUS SAFETY DEVICES). THEREFORE, EXTRA CARE AND STRICT ADHERENCE TO THESE INSTRUCTIONS BY THE FIREARM'S USER IS MANDATORY FOR MINIMIZING THE RISK OF ACCIDENTS.

4.8

UNLOADING

⚠ WARNING ALWAYS UNLOAD YOUR FIREARM IMMEDIATELY AFTER USE AND PRIOR TO CLEANING AND STORAGE TO MINIMIZE THE RISK OF ACCIDENTAL DISCHARGE.

TO UNLOAD:

NOTICE Read safety instructions. Keep your firearm pointing in a safe direction. Do not touch the trigger and keep hands away from the ejection port.

1. Set the safety selector lever to “SAFE.”

NOTE: The hammer must be cocked to place this firearm on “SAFE.”

2. Press the magazine catch and remove the magazine.
3. Pull the charging handle to the rear and push in lower portion of bolt catch. If a round was in the chamber, it should have been ejected. If the last round was fired, the bolt carrier group should already be locked to the rear provided a magazine was in place.
4. Look into the chamber through the ejection port to make sure the chamber is empty.



5. When the magazine is removed and the chamber is empty, push the top portion of the bolt catch to allow the bolt carrier group to return forward.
6. Remove remaining live rounds by sliding them forward out of the magazine.
7. Collect live ammunition for safe storage and spent cartridge cases for disposal.

4.9

FIRING

Before firing, practice your stance, sight picture, and breathing for steady aim with your firearm UNLOADED. Practice firing on a range before using your firearm for any other type of shooting.

⚠ WARNING ALWAYS WEAR AND ENCOURAGE OTHERS TO WEAR EAR PROTECTION WHEN SHOOTING, ESPECIALLY ON A RANGE. WITHOUT EAR PROTECTION, THE NOISE FROM YOUR FIREARM AND OTHER FIREARMS CLOSE TO YOU COULD LEAVE A “RINGING” IN YOUR EARS FOR SOME TIME AFTER FIRING, WHILE THE CUMULATIVE LONG-TERM EFFECT COULD BE PERMANENT HEARING LOSS.

⚠ WARNING ALWAYS WEAR AND ENCOURAGE OTHERS TO WEAR PROTECTIVE SHOOTING GLASSES THAT MEET THE MINIMUM REQUIREMENTS OF THE AMERICAN NATIONAL STANDARDS INSTITUTE (ANSI) Z87.1. ANSI Z87.1-RATED GLASSES PROTECT YOUR EYES AGAINST HIGH-PRESSURE GAS, EJECTED MATERIAL, AND HIGH-SPEED DEBRIS NORMALLY ASSOCIATED WITH FIREARMS USAGE. FLYING PARTICLES MAY DAMAGE EYES AND CAUSE BLINDNESS; PROTECTIVE SHOOTING GLASSES SHOULD PREVENT SUCH INJURY.

⚠ WARNING READ SAFETY INSTRUCTIONS (SECTION 3). KEEP YOUR FIREARM POINTING IN A SAFE DIRECTION. DO NOT TOUCH THE TRIGGER AND KEEP HANDS AWAY FROM THE EJECTION PORT.

1. Load the firearm as previously described.
2. Grasp firearm with one hand on handguard and other hand on pistol grip with index finger resting along outside of trigger guard. Raise firearm and pull buttstock firmly into shoulder; adjust buttstock as necessary.
3. Aim by aligning target with front and rear sights.
4. Move safety selector lever to “SEMI.”
5. Keeping steady aim, place index finger on trigger and squeeze straight back until trigger releases hammer. Don't jerk the trigger as you will disturb your aim and ruin your accuracy. To fire the second and subsequent rounds, all that is necessary is to release the trigger and squeeze it again after every shot until you have completed firing or emptied the magazine.

⚠ WARNING THIS IS A SEMI-AUTOMATIC FIREARM AND IS IMMEDIATELY LOADED AND READY TO FIRE AFTER EACH SHOT UNTIL THE MAGAZINE IS EMPTY. TO UNLOAD THE FIREARM, THE MAGAZINE MUST BE REMOVED, AND THE BOLT CARRIER GROUP MUST BE PULLED TO THE REAR WITH THE CHARGING HANDLE TO EXTRACT ANY REMAINING ROUND FROM THE CHAMBER.

⚠ WARNING THIS FIREARM CAN ALSO BE FIRED WITHOUT A MAGAZINE IN PLACE.

6. Release trigger, remove finger from trigger, and set selector lever to "SAFE." If you have fired the last round from the magazine, the bolt will be held to the rear so that the firearm can quickly be reloaded by replacing the magazine, or the chamber can be inspected to make sure it is empty.

⚠ WARNING WHILE FIRING, IF YOU NOTICE A DIFFERENCE IN SOUND OR RECOIL, STOP FIRING. A BULLET COULD BE STUCK IN THE BARREL. IF YOU FIRE AGAIN BEFORE CLEARING THE BLOCKAGE, THE BARREL MAY BULGE OR BURST AND CAUSE INJURY. IF THIS OCCURS, RETRACT THE BOLT SLOWLY TO REMOVE AND IDENTIFY THE FIRED CARTRIDGE CASE. CLEAR THE FIREARM AND MAKE SURE THE BORE IS CLEAR. ANY UNBURNED PROPELLANT OR OBSTRUCTION IN THE BORE MUST BE REMOVED BEFORE FIRING AGAIN TO PREVENT RISK OF DAMAGE AND INJURY.

⚠ WARNING IF YOUR FIREARM FAILS TO FIRE, HOLD IT, KEEPING IT POINTED TOWARD THE TARGET AND WAIT 30 SECONDS. IF A HANGFIRE (SLOW IGNITION) HAS OCCURRED, THE ROUND SHOULD FIRE WITHIN 30 SECONDS. IF THE ROUND DOES NOT FIRE, REMOVE THE MAGAZINE, EJECT THE ROUND AND EXAMINE THE PRIMER. IF THE FIRING PIN INDENT ON THE PRIMER IS LIGHT, MISALIGNED OR NONEXISTENT, HAVE YOUR FIREARM EXAMINED BY A COMPETENT GUNSMITH. IF THE FIRING PIN INDENT ON THE PRIMER APPEARS NORMAL (IN COMPARISON WITH PREVIOUSLY FIRED ROUNDS) ASSUME FAULTY AMMUNITION; SEGREGATE THE MISFIRED ROUND FROM OTHER LIVE AMMUNITION AND EMPTY CASES; RELOAD AND CARRY ON FIRING.

NOTE: On Daniel Defense firearms (or any other AR platform), it is normal for a light firing pin indent to appear on cartridges which have been fed into the chamber, but not fired.

NOTE: Dispose of misfired rounds in accordance with ammunition manufacturer's instructions.

⚠ WARNING ALWAYS KEEP YOUR FIREARM POINTING IN A SAFE DIRECTION.

⚠ WARNING UNLOAD FIREARM AS DESCRIBED IN SECTION 4.8.

⚠ WARNING IF YOU LOAD YOUR FIREARM BUT DO NOT FIRE IT, KEEP THE SAFETY SELECTOR LEVER SET TO “SAFE” UNTIL YOU ARE READY TO FIRE.

⚠ DANGER NEVER LEAVE YOUR FIREARM COCKED AND READY TO FIRE WITHOUT SELECTOR LEVER SET TO “SAFE,” AS THIS IS THE FIRE CONDITION AND IS EXTREMELY DANGEROUS. YOUR FIREARM CAN EASILY BE ACCIDENTALLY DISCHARGED, CAUSING INJURY, DEATH, OR DAMAGE TO PROPERTY.

5.0

MAINTENANCE

Your Daniel Defense firearm will perform better, last longer and remain safer when it is properly maintained. Follow the instructions in this section to keep your firearm in good condition.

⚠ WARNING MAKE SURE THAT THE MAGAZINE IS REMOVED AND THAT THE FIREARM IS UNLOADED SO THAT IT CANNOT BE FIRED.

⚠ WARNING ALLOW FIREARM TO COOL TO ROOM TEMPERATURE.

⚠ WARNING ALWAYS WEAR SAFETY GLASSES TO PROTECT YOUR EYES FROM NOT ONLY SOLVENTS AND OILS, BUT ALSO PARTS THAT ARE UNDER SPRING TENSION, WHICH CAN BE PROPELLED WITH ENOUGH FORCE TO CAUSE SEVERE INJURY.

5.1

STRIPPING FOR CLEANING

NOTICE To prevent loss of small components during stripping and cleaning, lay them out in an orderly fashion. Make sure all stripped small components and parts are reinstalled properly after cleaning.

1. Read and understand all safety instructions.
2. Press in the rear takedown pin from the left-hand side of lower receiver and pull the pin out on the right-hand side of the receiver until it comes to a positive stop.
3. Pivot the lower receiver down and away from the upper receiver.
4. If required for more convenience, completely separate the upper receiver from the lower receiver by pressing the front takedown pin from the left-hand side of the lower receiver and pulling out the pin on the right-hand side of the receiver until it comes to a positive stop.
5. Pull charging handle to the rear and remove the bolt carrier group.
6. Remove the charging handle by pulling it backward to the keyway and then down and out of the upper receiver.
7. Push in the firing pin retaining pin from right to left of the bolt carrier group and remove the pin by pulling it out to the left.
8. Tilt the bolt face up and remove the firing pin (and firing pin return spring—for DD5 only).
9. Push the bolt in toward the carrier until bolt rotates and comes to a stop, then turn the bolt cam pin through 90° (not necessary on DD5).
10. Remove the cam pin by lifting it out and away from the bolt and bolt carrier.
11. Pull the bolt forward and remove it from the bolt carrier.
12. Handguard maintenance:
 - a. If dirt or debris has accumulated in and around the handguard, use compressed air for removal.
 - b. Lubricate as needed.
 - c. If removal of handguard is deemed necessary, please take firearm to a qualified and competent gunsmith.
 - d. Removal/installation instructions and torque specifications are available from Daniel Defense.

NOTE: Removal is not necessary unless dirt has accumulated in or around the handguard.

13. Remove the buttstock from lower receiver (if equipped):
 - a. Push the release lever up and extend the buttstock fully.
 - b. Pull tabs of buttstock latch, compressing spring completely, and slide buttstock off the receiver extension.
14. Depress the buffer, maintaining pressure as the buffer is under spring tension, to prevent it from being ejected when the buffer retainer pin is depressed. Depress the buffer retainer pin to permit the buffer and the action spring to move forward. Depress the hammer to allow the action spring and the buffer assembly to continue moving forward and be completely removed from the receiver extension.

NOTICE Do not strip your firearm further than previously described. If additional maintenance is required, see "Servicing and Repairing" later in this instruction manual. Reassemble your firearm by reversing the stripping procedure already described, and make sure that the cam pin is properly installed.

⚠WARNING IF YOU INSTALL THE FIRING PIN WITHOUT THE FIRING PIN RETURN SPRING AND LATER ATTEMPT TO FIRE THE FIREARM, DAMAGE TO THE FIREARM OR INJURY MAY RESULT (DD5 ONLY).

⚠WARNING IF YOU ATTEMPT TO FIRE WITHOUT THE BOLT CAM PIN INSTALLED, DAMAGE TO FIREARM OR INJURY MAY RESULT.

5.2

WHEN TO CLEAN

BEFORE FIRING, make sure that the barrel and the chamber are clean and dry. After firing, clean your firearm as soon as possible so that the job will be easier and there will be less opportunity for corrosion to start.

PERIODICALLY, when your firearm has not been fired, we suggest you clean it when necessary and at least once or twice a year in a temperate climate, or as often as once a week in a tropical climate.

IF YOU CARRY A LOADED FIREARM, UNLOAD it and clean when necessary and at least once a month. If you get your firearm wet, clean it as soon as possible.

5.3

HOW TO CLEAN

Materials:

- Personal Protective Equipment: chemical-resistant gloves, mask, and eye protection
- Good-quality cleaning rod (coated is preferable for protecting barrel)
- Brass jag or loop of correct caliber (5.56mm = .22 caliber, 6.8mm = .277 caliber, 300BLK = .30 caliber, .308 win = .30 caliber, 6.5 Creedmoor)
- Cotton bore-cleaning patches (cut to size to fit snugly in bore)
- Nylon bore brush of correct caliber (see above for size)
- Nylon chamber brush of correct caliber (5.56, 300BLK, 6.8 = M16/AR-15 Brush, .308 = 308AR Brush, .260 and 6.5 = 308AR Brush)
- Nylon bristle all-purpose cleaning brush or toothbrush
- Firearm cleaning solution: Use only high-quality firearm cleaning solutions when cleaning your Daniel Defense firearm. There are many good options when it comes to cleaning your firearm. Check with the cleaning solution's manufacturer to see if it is correct for your application, and be sure to follow their directions carefully.

NOTICE Be sure to remove or neutralize any ammonia-based cleaning solutions from the firearm as they can cause permanent damage.

Optional but recommended equipment:

- Bore guide: this helps to prevent users from damaging the barrel by keeping cleaning rod in line with the bore.
- Bore light: inserted at muzzle, a bore light will help user inspect rifling from the rear of receiver while keeping firearm pointed in a safe direction.
- Chamber mop: helps clean chamber and more effectively than chamber brush alone.

Procedure:

⚠️WARNING ENSURE THAT THE FIREARM IS NOT LOADED.

⚠️WARNING ALLOW FIREARM TO COOL TO ROOM TEMPERATURE BEFORE ATTEMPTING CLEANING/MAINTENANCE.

⚠️WARNING USE PROPER PROTECTIVE EQUIPMENT: GOGGLES, MASK, AND CHEMICAL GLOVES.

NOTICE Improper cleaning techniques can permanently damage the firearm and lead to degradation in accuracy and reduced reliability.

⚠️WARNING CLEANING FIREARMS, DISCHARGING FIREARMS IN POORLY VENTILATED AREAS, OR HANDLING AMMUNITION MAY RESULT IN EXPOSURE TO LEAD AND OTHER HARMFUL SUBSTANCES WHICH ARE KNOWN TO THE STATE OF CALIFORNIA TO CAUSE BIRTH DEFECTS, REPRODUCTIVE HARM, AND OTHER SERIOUS PHYSICAL INJURY. HAVE ADEQUATE VENTILATION AT ALL TIMES. BE SURE TO ALWAYS WASH HANDS THOROUGHLY AFTER POSSIBLE EXPOSURE.

1. Strip for cleaning as previously described.

NOTE: Avoid contact between the cleaning rod and the muzzle as resultant wear will greatly reduce accuracy.

2. Attach a cotton flannel patch to end of the cleaning rod, insert it in the chamber and pass the rod and patch down through the barrel and out the muzzle. Remove used patches at muzzle to avoid pulling it back through the bore. Repeat, changing patches with each pass through the barrel, until the last patch comes out clean.

NOTE: Avoid pulling dirty patches back through the barrel.

3. Visually inspect the barrel; if it is clean, proceed directly with step 8, but if it remains dirty, continue with step 4.

NOTE: Items 4 & 5 should be applicable only after firing.

4. Attach nylon wire-bristle bore-cleaning brush to cleaning rod and dip brush in firearm-cleaning solution. Thoroughly scrub out barrel, passing the brush all the way through before reversing the movement. If you try to change direction with the brush in barrel, the brush can get stuck and cause damage to barrel.

5. Attach the larger chamber-cleaning brush to the cleaning rod, dip the brush in bore-cleaning solution, and clean the chamber. Use a minimum of five plunge strokes and three 360° clockwise rotational strokes.
6. Repeat steps 2 and 3.
7. Use an all-purpose nylon cleaning brush and firearm-cleaning solution to clean all carbon and powder residue from around the gas tube in the upper receiver, bolt locking lugs, bolt rings, firing pin, bolt cam pin, lip of the extractor, and inside the bolt carrier group.

NOTICE Do not use a wire brush on aluminum surfaces such as the upper and lower receivers and the handguards. If cleaning is necessary, avoid scratches and wear by using a small nylon brush or flannel patch.

8. Wipe all components clean and dry and inspect them for excessive wear, corrosion or mechanical damage. If any of these conditions are discovered, have them corrected before firing again. (See Servicing and Repair later in this section.)
9. Lightly dampen a flannel patch with gun oil and pass it once through the barrel, leaving a thin film of oil on the inside surface. Leave this film of oil on the surface if firearm is to be stored. If it is not being stored, or if it is being removed from storage for use, pass the dry patch through the barrel and chamber to remove as much oil as possible.
10. Check that flannel or brush bristles have not become lodged in any part of firearm, then lightly lubricate (See Section 5.4).
11. Remove any gun-cleaning solution, oil, and fingerprints from the outside surfaces of the firearm. (Finger moisture, if left, could start a corrosion process.)
12. Reassemble the firearm:
 - a. Insert the buffer/action spring and buffer into the receiver extension/buffer tube on the rear of the lower receiver. The buffer retaining pin should prevent any forward movement of the buffer/action spring.
 - b. Install the buttstock onto the lower receiver. Pull the release lever down and push the buttstock forward on the receiver extension/buffer tube.
 - c. Insert the bolt into the bolt carrier. Take care to ensure the chamfered edge of the bolt body where the cam pin sits is facing downward. The cam pin should be inserted from the opposite side of the chamfered edge. Another way to ensure proper bolt installation is to verify that the extractor is oriented to the right side of the bolt carrier.
 - d. Insert the cam pin into the bolt and bolt carrier.
 - e. Rotate the cam pin 90 degrees to allow the firing pin to fully seat into the bolt (not necessary on DD5).
 - f. Insert the firing pin (and the firing pin return spring – for DD5 only).
 - g. Insert the firing pin retaining pin from the left to right of the bolt carrier.
 - h. Install the charging handle into the upper receiver by pushing it forward approximately one inch (1.5" on DD5) into the keyway and then up into

the upper receiver. You will not insert the charging handle all of the way until it latches.

- i. With the bolt fully extended forward, install bolt carrier group into the upper receiver. Orient the gas key so that it fits into the charging handle. Slide entire bolt carrier group forward and latch the charging handle into the upper receiver.
- j. Attach the upper and lower receivers together by orienting the front upper receiver pivot-pin lug into the corresponding recess in the lower receiver. Push the pivot pin from right to left until fully seated.
- k. Pivot the rear end of the receivers together and push the rear takedown pin from right to left until fully seated.

5.4

LUBRICATING/PRESERVATION

Use only high-quality gun oil when lubricating your Daniel Defense firearm. There are many good options when it comes to lubricating your firearm. Check with the lubricant's manufacturer to see if it is correct for your application.

Lubrication Points:

- Bolt Carrier Group:
 - Carrier Rails
 - Cam Pin
 - Bolt Lugs
 - Extractor Pin
 - Extractor
 - Gas Rings
 - Firing Pin
 - Retaining Pin
 - Ejector(s)
- Fire Control Group:
 - Hammer
 - Trigger
 - Pins
 - Disconnecter
 - Selector
- Mag Catch
- Bolt Catch
- Bolt Release (DD5)
- Ejection Port Cover
- Forward Assist
- Takedown Pin
- Pivot Pin
- Buffer Retaining Pin
- Buffer Spring
- Buttstock Latch
- Charging Handle
- Sight Aperture Pivot Point
- Sight Adjustment Wheel
- Front Sight Detent

Preservation:

NOTICE Areas with excessive humidity, salt (coastal areas), dust, etc., will require more aggressive preservation efforts.

The use of quality preservatives/corrosion inhibitors can extend the life of the firearm and make cleaning easier. They provide a barrier between the firearm and contaminants (dirt, dust, fouling, etc.) and corrosives (moisture, salt, etc.). It is important to protect areas of your firearm with a high-quality gun oil/lubricant or preservative, especially the steel components, including the barrel, gas block, muzzle device, pins, forward assist, ejection port cover, etc. Many commercially available gun oil/lubricants are also designed to be preservatives. Check with the lubricant's manufacturer to see if it is suitable for use as a preservative/corrosion inhibitor.

5.5

CLEANING THE MAGAZINE

For all cleaning, maintenance, and care instruction, please refer to the magazine manufacturer.

5.6

CLEANING PROCEDURE FOR DDM4ISR® BARREL AND SUPPRESSOR

The DDM4ISR Suppressed Barrel assembly requires specific cleaning techniques due to the integral nature of the sound suppressor. While the baffle can be removed each time for cleaning of the barrel, it is NOT recommended unless absolutely necessary. During normal use, cleaning with a BoreSnake (Hoppe's BoreSnake .308 24015 or similar) and quality bore solvent will be all that is needed to maintain the barrel of the rifle. The DDM4ISR Sound Suppressor itself is designed to require minimum maintenance, and frequent cleaning of the internals is not required or recommended.

BARREL CLEANING PROCEDURE

1. Remove the magazine, place the firearm on safe, and make sure that the chamber is empty.
2. Remove the upper receiver from the lower receiver by pushing out the takedown and pivot pins.
3. Remove the bolt carrier group and charging handle from the upper receiver.
4. Apply a high-quality bore solvent (Kano Kroil recommended) to the Hoppe's BoreSnake forward of the brush.
5. Holding the upper receiver group vertical, muzzle down, take the weighted end of the BoreSnake and insert into the barrel from the breech. Allow it to pass through the baffle core of the sound suppressor and out the muzzle.
6. Pull the BoreSnake through the barrel, and repeat 2-3 times (or as necessary).
7. Apply a small amount of high-quality gun oil to the tail of the BoreSnake and pass through the barrel a final time.

⚠ WARNING

DO NOT USE A CLEANING ROD AND PATCHES TO CLEAN THE BARREL WITH THE BAFFLE INSTALLED. YOU MAY DAMAGE THE BAFFLE CORE OR LEAVE PATCHES IN THE SUPPRESSOR ASSEMBLY. IF A CLEANING ROD MUST BE USED, REMOVE THE BAFFLE FROM THE SUPPRESSOR.

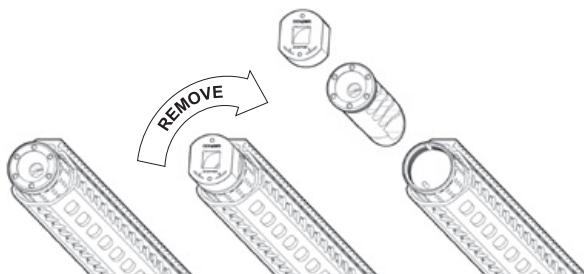
⚠ WARNING MAKE SURE THAT THE MAGAZINE IS REMOVED AND THAT THE FIREARM IS UNLOADED SO THAT IT CANNOT BE FIRED.

⚠ WARNING WEAR SAFETY GLASSES AND CHEMICAL-RESISTANT GLOVES.

5.7

BARREL CLEANING PROCEDURE (CLEANING ROD, BAFFLE REMOVED)

NOTICE This procedure should only be used in the event that the boresnake cleaning method fails to adequately clean the barrel or there is an obstruction (dirt, debris) in the suppressor bore that cannot be easily removed. The DDM4ISR sound suppressor does not require regular cleaning and will function without degradation in sound reduction for many thousand rounds.



1. Remove the magazine, place the firearm on safe, and make sure that the chamber is empty.
2. Remove the upper receiver from the lower receiver by pushing out the takedown and pivot pins.
3. Remove the bolt carrier group and charging handle from the upper receiver.
4. Remove the baffle from the sound suppressor/barrel assembly by using the provided removal tool by following the instructions in the manual. The baffle may have become stuck due to excessive carbon fouling, and, it is recommended that the following baffle removal procedure be followed:
 - a. Immerse the muzzle half of suppressor in Kano Kroil overnight. This can be done by using a small container and by positioning the upper receiver group vertically so that only the muzzle end is submerged. This will reduce the amount of solvent needed to loosen the fouling around the baffle.
 - b. Position the upper receiver in a bench vise utilizing an upper receiver bench block that supports the barrel extension lugs.

- c. Using a torque limiting (preferred) or standard 1/2" square drive wrench and the provided tool, remove the baffle from the suppressor tube. The threads are left hand so turn clockwise to loosen.
- d. Once the baffle is removed, the barrel can be cleaned with a cleaning rod, brush, jag, and patches as normal. The inside of the suppressor tube and the baffle core can also be cleaned using standard bore solvents and brushes. Carbon fouling on the internals of a sound suppressor is normal and does not affect function.
- e. Re-install the baffle per the instructions provided in the manual, remembering that the threads are left-handed. Torque the baffle to 20-25 lb-ft. Excessive torque of the baffle can damage the suppressor, barrel, or both, increasing the likelihood of a baffle strike. It is recommended that this procedure be avoided unless absolutely necessary, and be performed by a qualified gunsmith.

⚠ WARNING DO NOT OVER TIGHTEN PAST 25 LB-FT. THIS MAY DAMAGE THE SUPPRESSOR ASSEMBLY AND RESULT IN THE PROJECTILE STRIKING THE BAFFLE UPON FIRING.

BAFFLE CLEANING PROCEDURE

1. With the baffle removed as outlined in the previous section, soak the baffle in a quality solvent such as Kano Kroil, Hoppe's No. 9, or similar product until carbon begins to loosen. (Wear at the rear of the baffle—closest to the barrel muzzle—is normal and will not affect function. The DDM4ISR baffle is designed to withstand many thousand rounds without changes in sound reduction.)
2. With a nylon brush, gently scrub the loosened carbon from the baffle. Pay special attention to the threaded portion of the baffle.
3. Lightly oil the threads and re-install per instructions in previous section.

5.8

STORAGE

⚠ WARNING ALWAYS UNLOAD YOUR FIREARM FOR STORAGE AND STORE AMMUNITION SEPARATELY!

Store your firearm and ammunition securely locked in separate locations out of the reach and sight of children. (Children are naturally curious and do not always believe or understand the real danger of firearms or the responsibilities of safely handling them.)

NOTE: Do not store your firearm in an airtight container, and do not seal or attempt to seal the barrel to exclude dust, as an internal steel surface is more likely to corrode.

5.9

SERVICING AND REPAIRING

Should your firearm require adjustment or repair, make sure it is NOT LOADED and call Daniel Defense for specific instructions on where to send the firearm. For spare parts, seek advice from your dealer, who should have up-to-date information on how to best obtain genuine Daniel Defense parts.

An illustration and list of part names are included in the next section of this instruction manual to help you identify the parts you need, but it is most important to note that all parts are not available for sale. Those parts that are available should be installed by Daniel Defense or by a competent gunsmith. When ordering parts, please provide the part name as it is given on the parts list along with the serial number of the firearm.

NOTICE If you make unauthorized adjustments or use unauthorized parts, Daniel Defense will not assume responsibility for the functioning of this firearm.

NOTE: This firearm is manufactured to perform properly with the original parts as designed. It is your duty to make sure any parts you buy are installed correctly and that neither replacements nor originals are altered or changed. This is why sending it back to the manufacturer is highly recommended. Your firearm is a complex tool with many parts that must relate correctly to other parts.

Putting a firearm together incorrectly or with modified parts can result in a damaged firearm and danger, injury, or death to you and others through malfunction. Always let a qualified gunsmith work on your firearm and check any work you think was not performed by a gunsmith. WE AT DANIEL DEFENSE THINK THIS IS A SMALL PRICE TO PAY FOR FIREARMS SAFETY.

Various Federal and State laws and local ordinances govern the transfer and transportation of firearms. Take the advice of the dealer in your state on how to send your firearm to Daniel Defense. Before shipping your firearm, take note of some important points to remember:

⚠ WARNING

MAKE SURE THE MAGAZINE IS EMPTY AND THE FIREARM IS NOT LOADED. (See Section 4.8)

1. Prior to sending a firearm to Daniel Defense, obtain an RMA (Return Merchandise Authorization) by contacting a Warranty Administrator at: **Danieldefense.com/contacts** or by calling **1-866-554-GUNS (4867)**.
2. Do not send ammunition, accessories, presentation boxes, or explosive components.
3. Daniel Defense's address for receiving packages is:

**DD CUSTOMER SUPPORT
1334 ORACAL PARKWAY
BLACK CREEK, GA 31308**

NOTE: Do not indicate the contents or include "DANIEL DEFENSE" in the address on the package so that an inquisitive thief is not attracted to it by such information.

FIREARM RECORD

Daniel Defense Product: _____

Firearm Serial #: _____

Suppressor Serial #: _____

Caliber: _____

Purchased From: _____

Date Purchased: _____

Purchase Price: _____

6.0

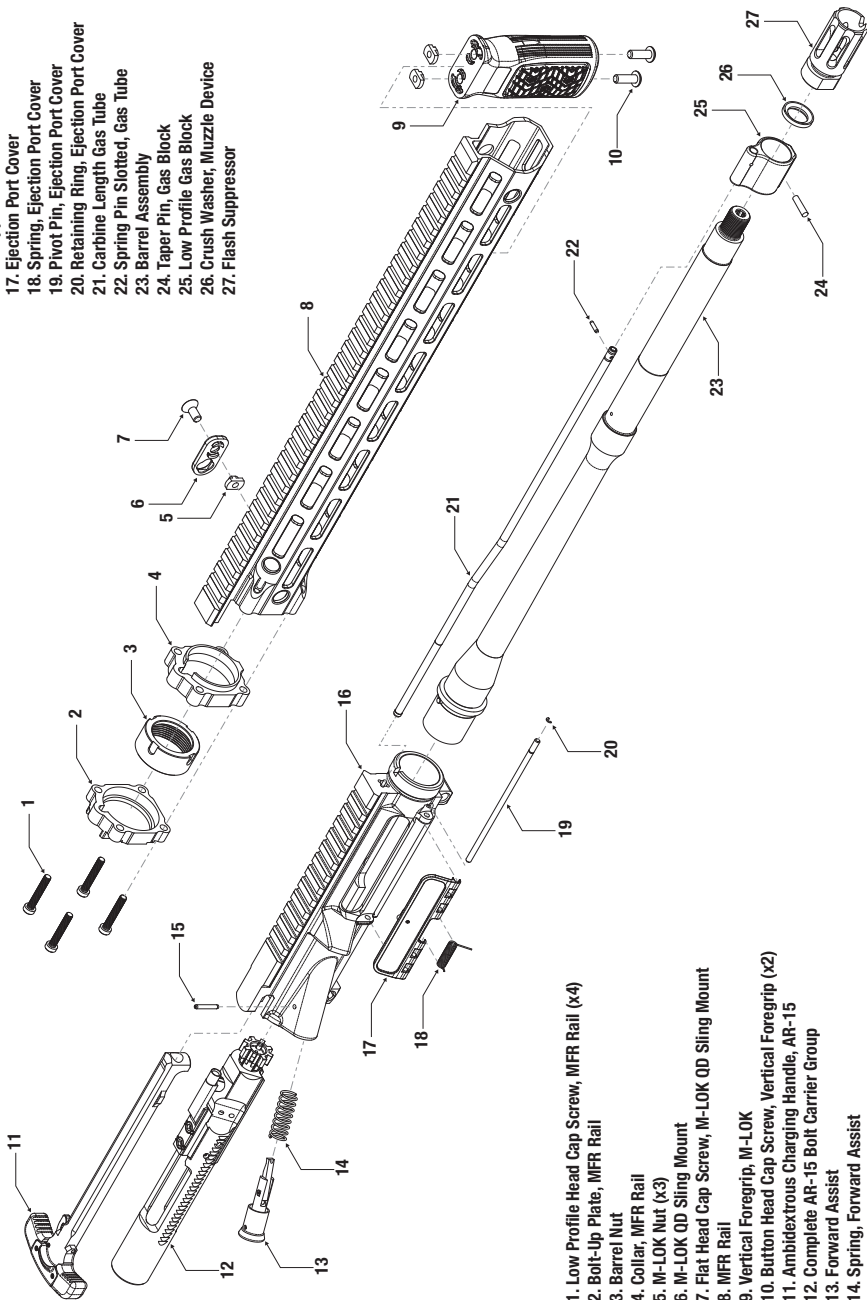
PARTS ILLUSTRATIONS & LIST

- 6.1 **DDM4® UPPER RECEIVER GROUP PARTS ILLUSTRATION**
- 6.2 **DDM4® LOWER RECEIVER GROUP PARTS ILLUSTRATION**
- 6.3 **DD4™ LOWER RECEIVER GROUP PARTS ILLUSTRATION**
- 6.4 **DD5® UPPER RECEIVER GROUP PARTS ILLUSTRATION**
- 6.5 **DD5® LOWER RECEIVER GROUP PARTS ILLUSTRATION**
- 6.6 **DDM4ISR® LOWER RECEIVER GROUP PARTS ILLUSTRATION**
- 6.7 **DD4™ / DDM4® BOLT CARRIER GROUP PARTS ILLUSTRATION**
- 6.8 **DD5® BOLT CARRIER GROUP PARTS ILLUSTRATION**

6.1 DDM4® UPPER RECEIVER GROUP PARTS ILLUSTRATION

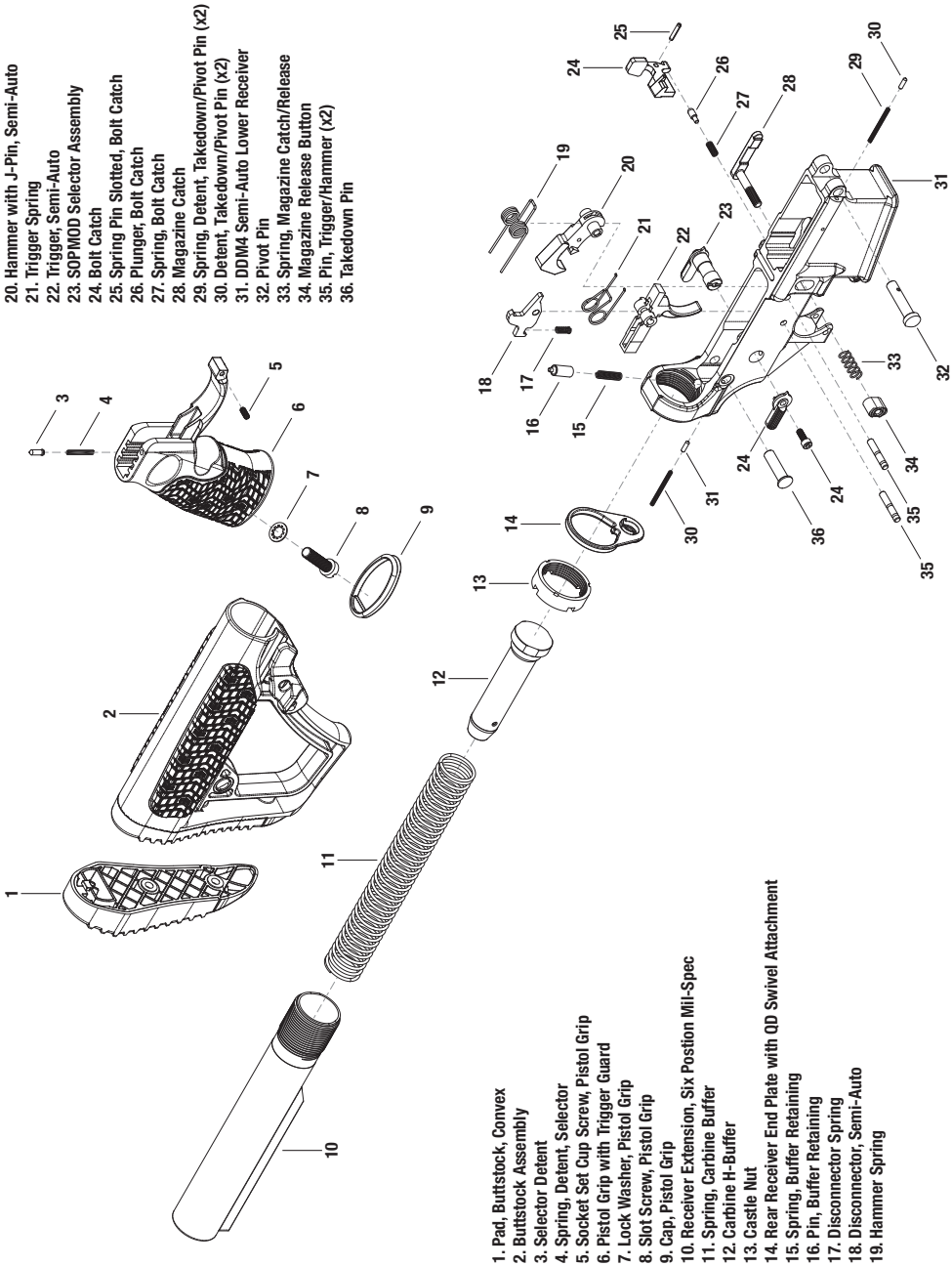
DDM4® V7® SHOWN. SOME PARTS VARY BY PRODUCT.

15. Spring Pin Slotted, Forward Assist
16. A4 Upper Receiver
17. Ejection Port Cover
18. Spring, Ejection Port Cover
19. Pivot Pin, Ejection Port Cover
20. Retaining Ring, Ejection Port Cover
21. Carbine Length Gas Tube
22. Spring Pin Slotted, Gas Tube
23. Barrel Assembly
24. Taper Pin, Gas Block
25. Low Profile Gas Block
26. Crush Washer, Muzzle Device
27. Flash Suppressor

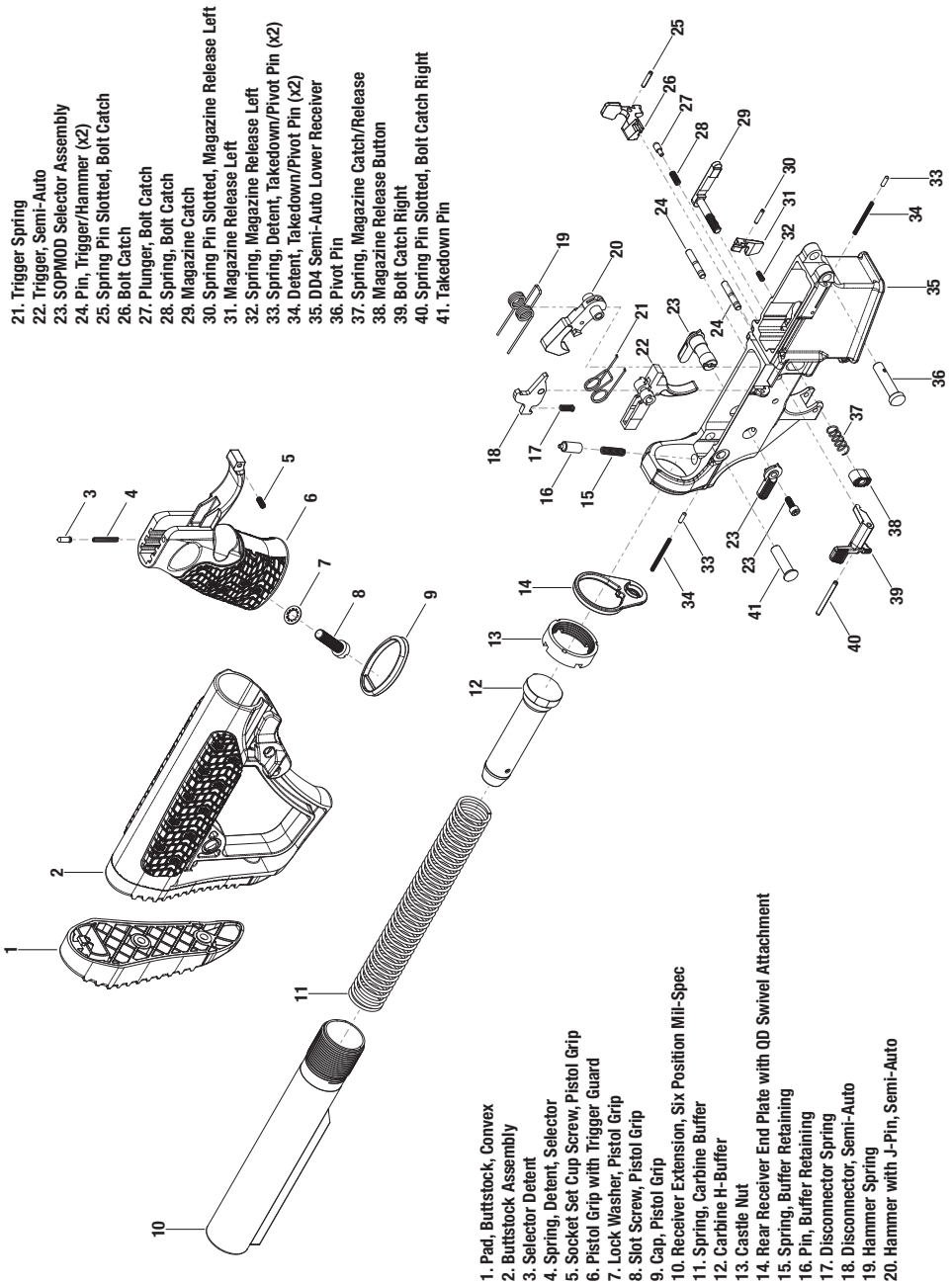


1. Low Profile Head Cap Screw, MFR Rail (x4)
2. Bolt-Up Plate, MFR Rail
3. Barrel Nut
4. Collar, MFR Rail
5. M-LOK Nut (x3)
6. M-LOK QD Sling Mount
7. Flat Head Cap Screw, M-LOK QD Sling Mount
8. MFR Rail
9. Vertical Foregrip, M-LOK
10. Button Head Cap Screw, Vertical Foregrip (x2)
11. Ambidextrous Charging Handle, AR-15
12. Complete AR-15 Bolt Carrier Group
13. Forward Assist
14. Spring, Forward Assist

6.2 DDM4® LOWER RECEIVER GROUP PARTS ILLUSTRATION



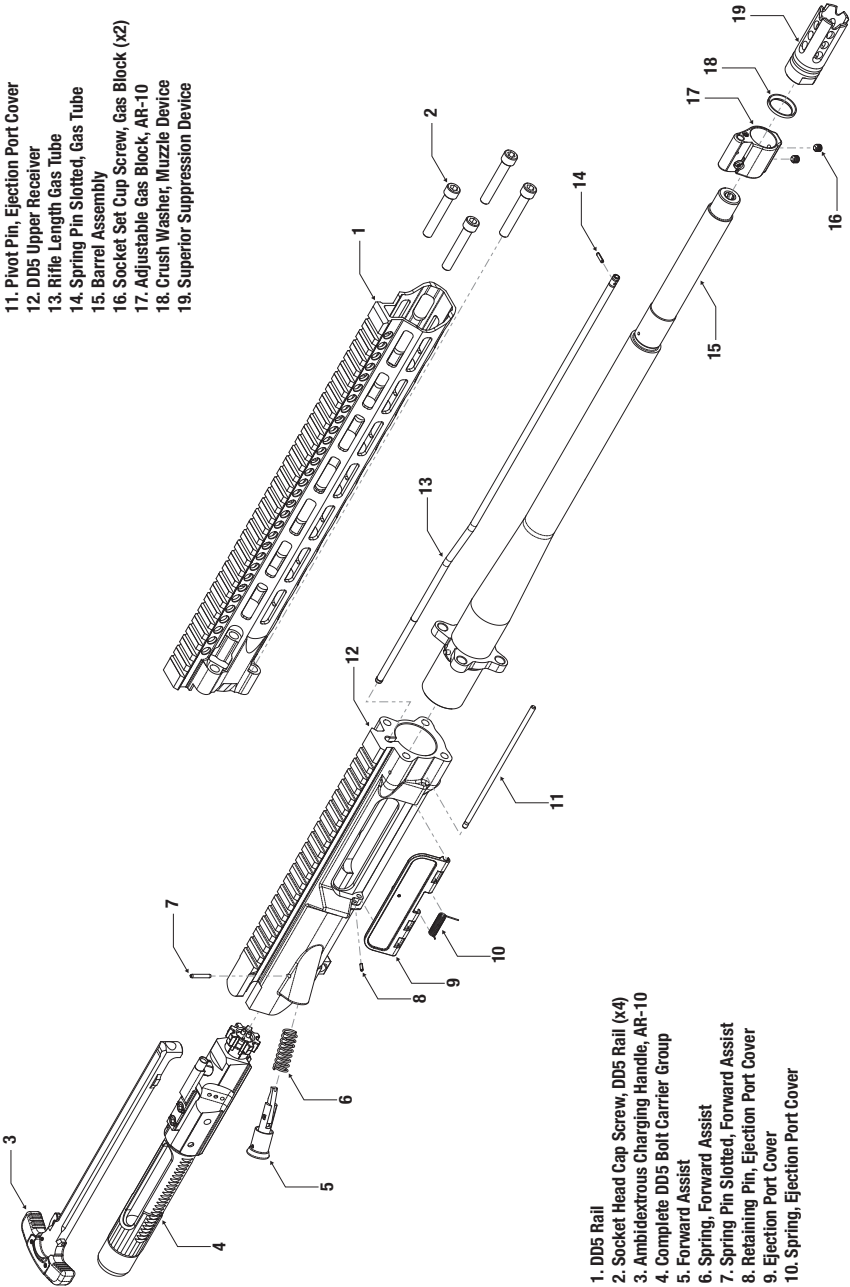
6.3 DD4™ LOWER RECEIVER GROUP PARTS ILLUSTRATION



6.4 DD5® UPPER RECEIVER GROUP PARTS ILLUSTRATION

DD5® V3® SHOWN. SOME PARTS VARY BY PRODUCT.

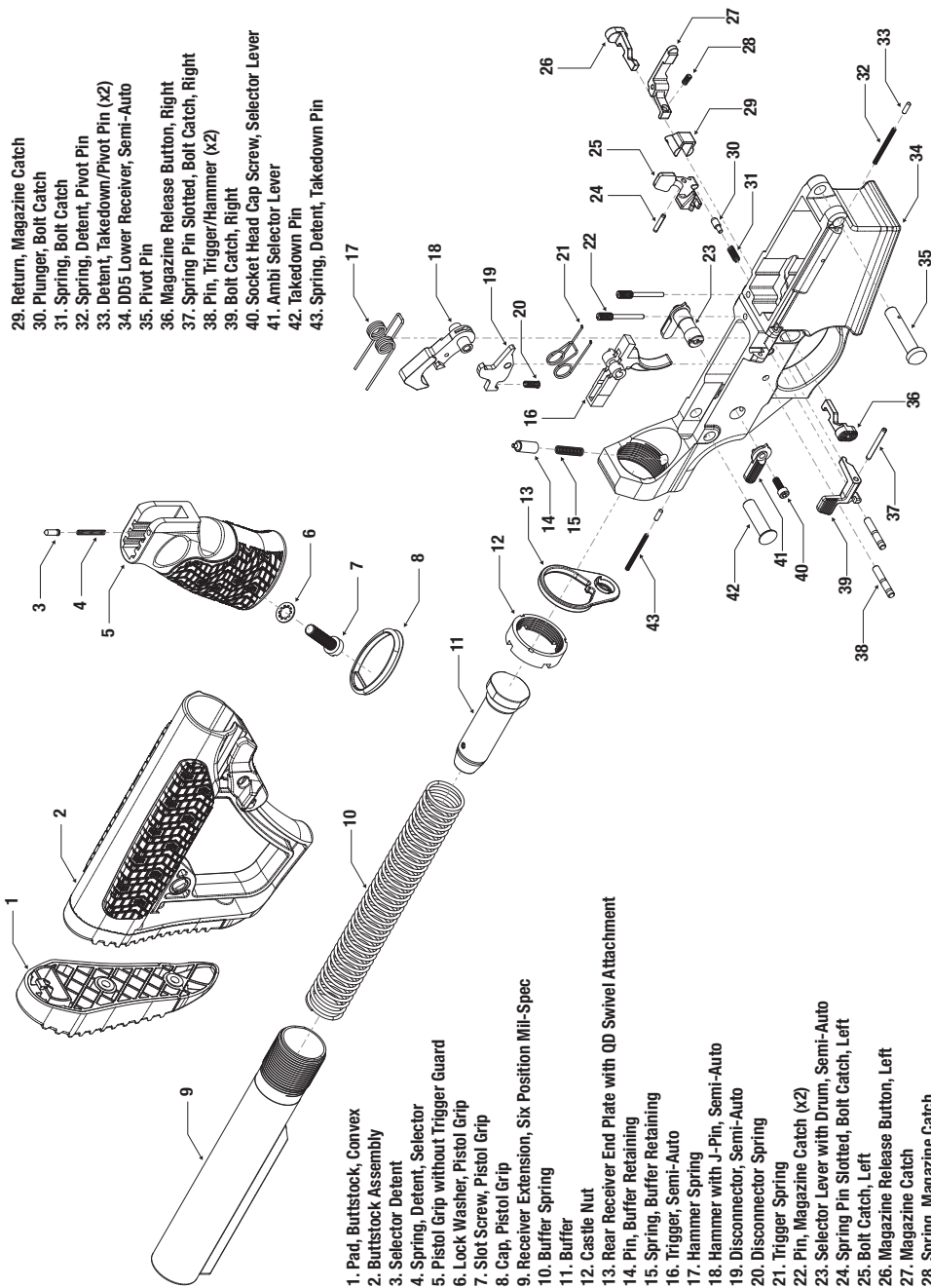
- 11. Pivot Pin, Ejection Port Cover
- 12. DD5 Upper Receiver
- 13. Rifle Length Gas Tube
- 14. Spring Pin Slotted, Gas Tube
- 15. Barrel Assembly
- 16. Socket Set Cup Screw, Gas Block (x2)
- 17. Adjustable Gas Block, AR-10
- 18. Crush Washer, Muzzle Device
- 19. Superior Suppression Device



- 1. DD5 Rail
- 2. Socket Head Cap Screw, DD5 Rail (x4)
- 3. Ambidextrous Charging Handle, AR-10
- 4. Complete DD5 Bolt Carrier Group
- 5. Forward Assist
- 6. Spring, Forward Assist
- 7. Spring Pin Slotted, Forward Assist
- 8. Retaining Pin, Ejection Port Cover
- 9. Ejection Port Cover
- 10. Spring, Ejection Port Cover

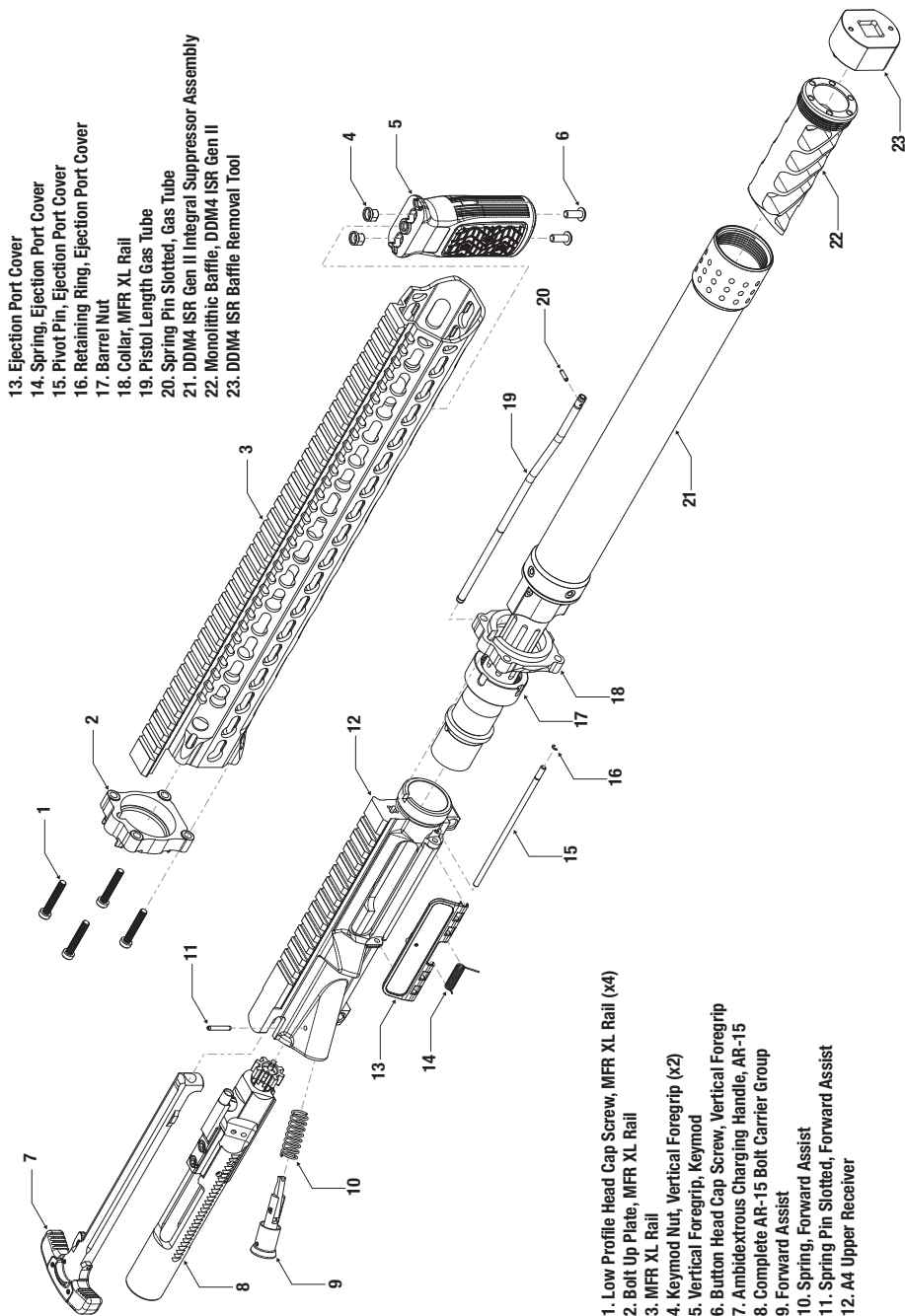
6.5 DD5® LOWER RECEIVER GROUP

PARTS ILLUSTRATION



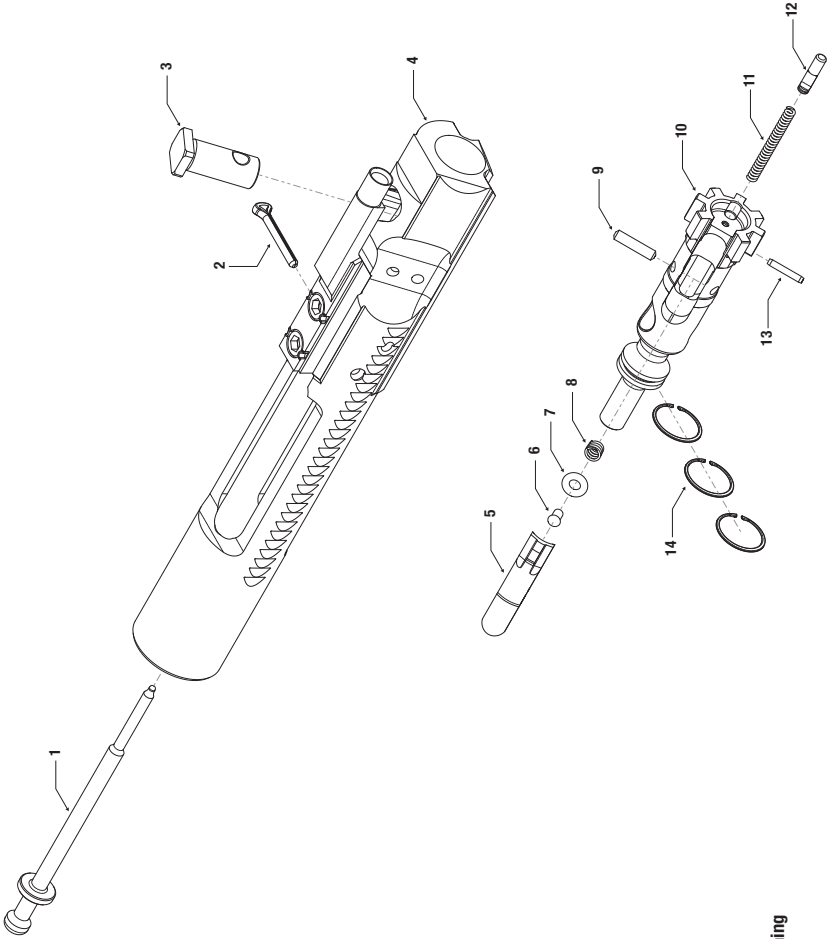
THIS PAGE IS LEFT INTENTIONALLY BLANK

6.6 DDM4ISR® UPPER RECEIVER GROUP PARTS ILLUSTRATION



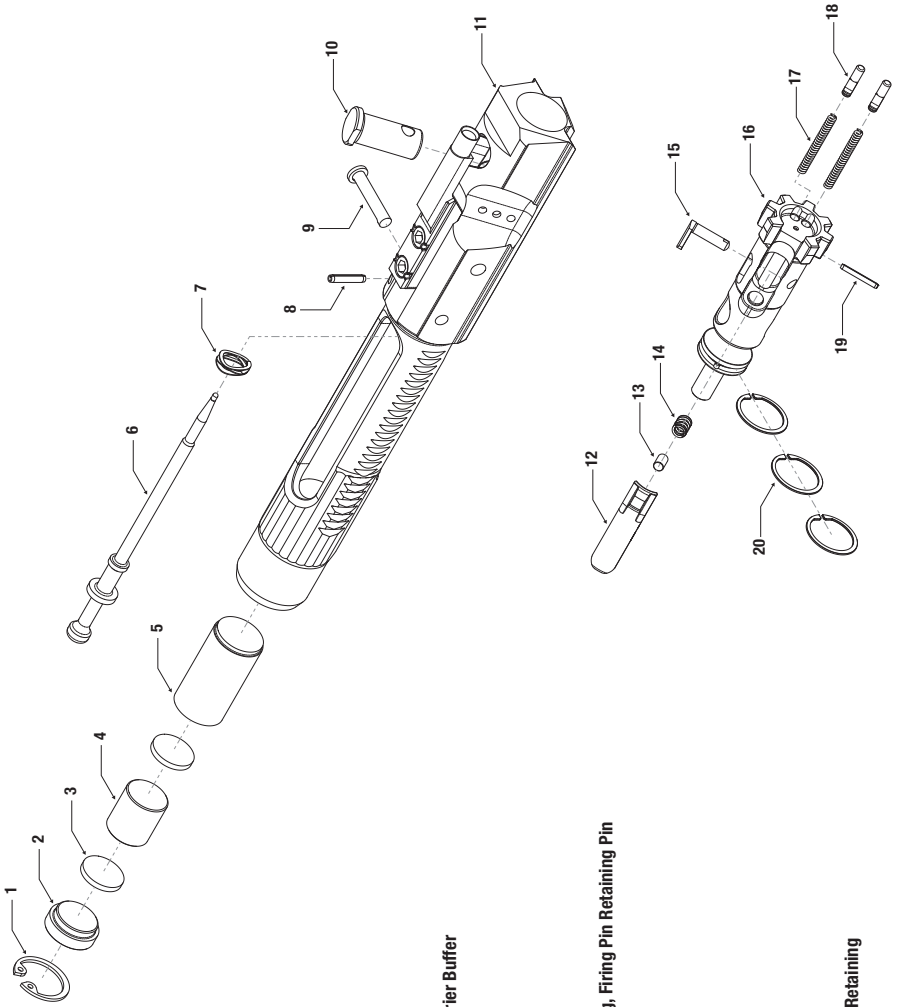
6.7 DD4™ / DDM4® BOLT CARRIER GROUP

PARTS ILLUSTRATION



1. Firing Pin
2. Retaining Pin, Firing Pin
3. Cam Pin
4. AR-15 Bolt Carrier
5. Extractor
6. Extractor Buffer
7. Extractor O-Ring
8. Extractor Spring
9. Retaining Pin, Extractor
10. AR-15 Bolt
11. Ejector Spring
12. Ejector
13. Spring Pin Slotted, Ejector Retaining
14. Gas Ring (x3)

6.8 DD5® BOLT CARRIER GROUP PARTS ILLUSTRATION



1. Internal Retaining Ring, Carrier Buffer
2. Cap, Carrier Buffer
3. H-Buffer Spacer (x2)
4. Buffer Weight
5. Housing, Carrier Buffer
6. Firing Pin
7. Return Spring, Firing Pin
8. Spring Pin Slotted, Retaining, Firing Pin Retaining Pin
9. Retaining Pin, Firing Pin
10. Cam Pin
11. DD5 Bolt Carrier
12. Extractor
13. Extractor Buffer
14. Extractor Spring
15. Extractor Pin
16. DD5 Bolt
17. Ejector Spring (x2)
18. Ejector (x2)
19. Spring Pin Slotted, Ejector Retaining
20. Gas Ring (x3)

7.0

WARRANTY STATEMENT

All Daniel Defense products carry a 100% satisfaction guarantee against defects in original materials and workmanship. If your Daniel Defense product shows evidence of such defects, Daniel Defense will make every accommodation to fix, repair, or replace your product expeditiously. Daniel Defense does not warranty products or damage caused to our products by the correct or incorrect installation of other manufacturer's products. Be sure to retain your sales slip as proof of purchase date when making a claim.



8.0

HEALTH AND ENVIRONMENTAL WARNING

Discharging firearms in poorly ventilated areas, cleaning firearms, or handling ammunition may result in exposure to lead and other substances known to cause birth defects, reproductive harm, cancer, and other serious physical injury. Have adequate ventilation at all times. Wash hands thoroughly after exposure.



»® **FREEDOM. PASSION. PRECISION.®**

**This instruction manual should always accompany this firearm.
When you lend, give, or sell this firearm, be sure that this manual goes with it.**

If your instruction manual becomes lost or destroyed, obtain a replacement by calling 1-866-554-GUNS (4867), by downloading online at DanielDefense.com, or writing to the address below.

When requesting a manual, make a note of your address and provide the information located on the left side of your firearm, including the serial number.



101 WARFIGHTER WAY, BLACK CREEK, GA 31308 | 1.866.554.GUNS (4867) | DANIELDEFENSE.com