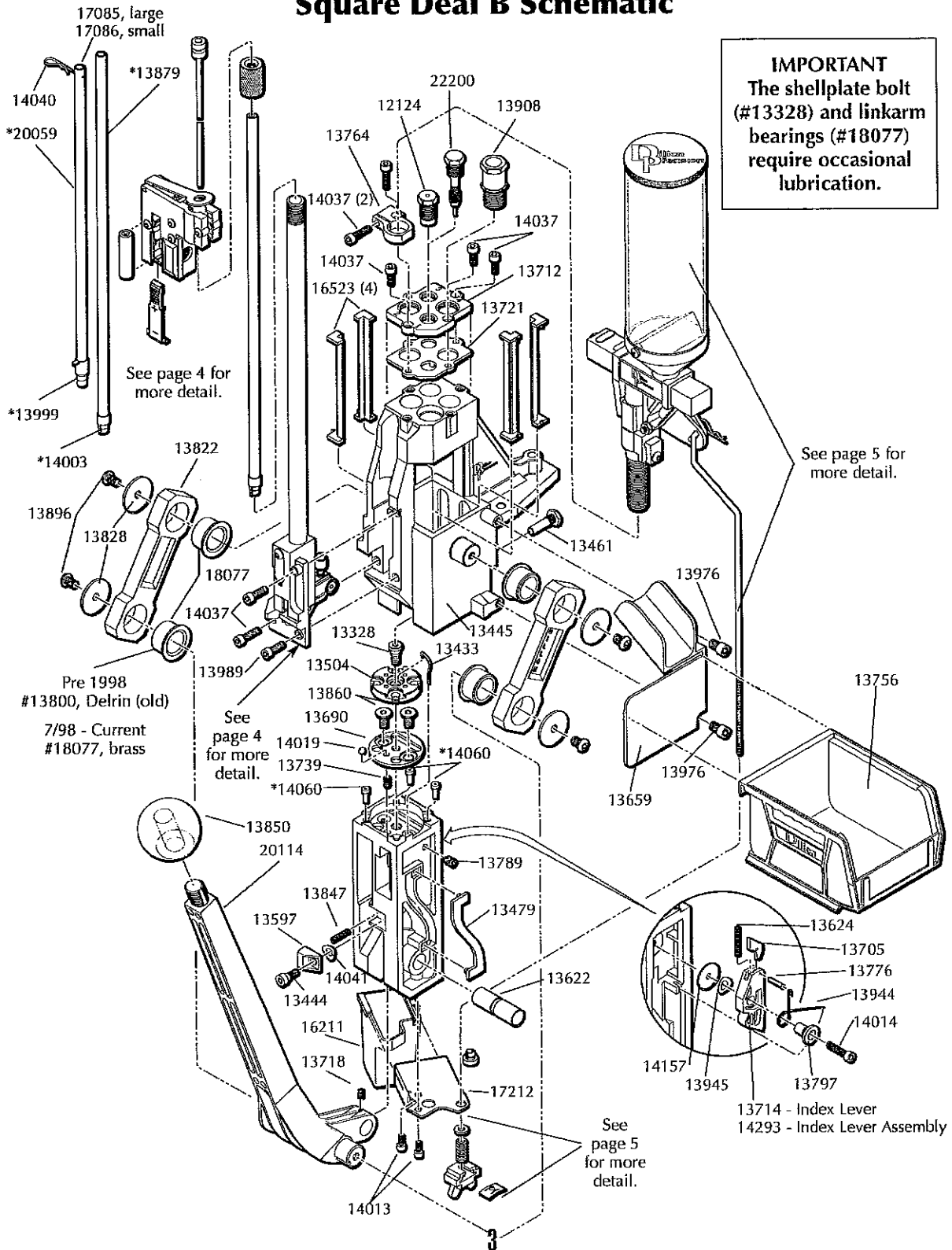


Square Deal B Schematic

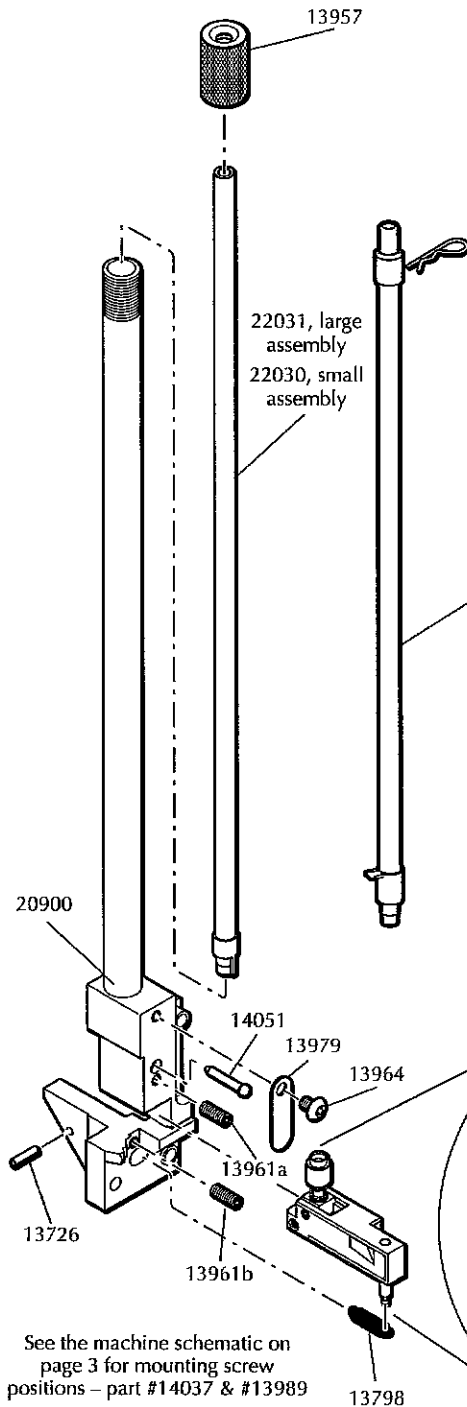


Automatic Primer System

20253 large, 20012 small

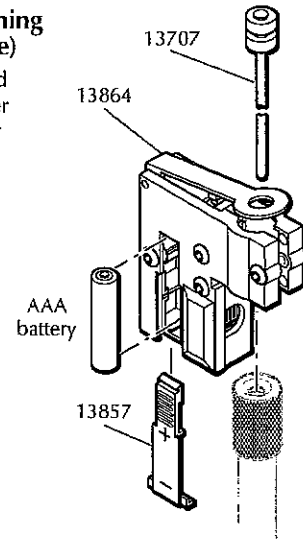
- 13726 Return Spring Roll Pin
- 13798 Return Spring
- 13957 Primer Shield Cap
- 13961a Primer Feed Adjst Screw
- 13961b Slide Stop Adjst Screw
- 13964 Spring Screw
- 13979 Primer Return Pin Spring
- 13989 Feed Body Screw

- 14037 Bracket Screw
- 14051 Primer Retaining Pin
- 20124 Large Primer Slide Assy
- 20125 Small Primer Slide Assy
- 20900 Primer Housing & Shield
- 22028 Small Primer Pickup Tube
- 22029 Large Primer Pickup Tube
- 22030 Small Primer Magazine Assy
- 22031 Large Primer Magazine Assy

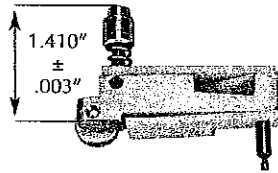


20302 Early Warning System (Complete)

- 13707 Follower Rod
- 13857 Battery Cover
- 13864 Switch Lever

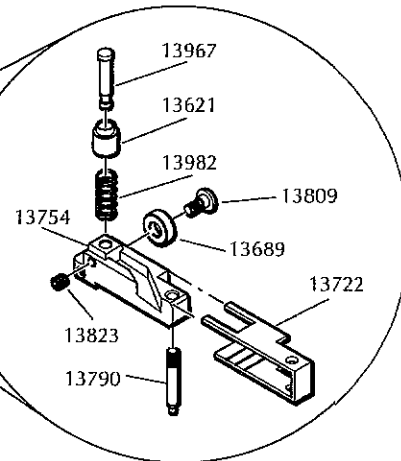


SDB Primer Slide Adjustment



Primer Slide Assembly 20124 large, 20125 small

- 13621 Primer Cup – Large
- 13657 Primer Cup – Small
- 13689 Primer Slide Roller
- 13722 Primer Slide Bearing
- 13754 Primer Slide
- 13757 Primer Punch – Small
- 13790 Primer Slide Return Pin
- 13809 Roller Bolt
- 13823 Primer Punch Set Screw
- 13967 Primer Punch – Large
- 13982 Primer Punch Spring



See the machine schematic on page 3 for mounting screw positions – part #14037 & #13989

Automatic Powder System

20001 SDB Automatic Powder System

- 13644 Powder Measure Spacer
 - 13691 Powder Measure Tube
 - *Caliber Specific Part – Powder Funnel
 - 13793 Powder Measure Roller
 - 13799 Stripper Wing Nut
 - 13801 Tinnerman Insert
 - 13818 Powder Bar Insert – Small
 - 13845 Collar Sleeve
 - 13848 Bellcrank Bushing
 - 13853 Powder Bar Insert – Large
 - 13865 Powder Die
 - 13871 Bellcrank Cube
 - 13882 Powder Measure Lid
 - 13893 Powder Bar Post – Large
 - 13895 Collar Clamp Screw
 - 13904 10-32x1 1/4 SHCS Bellcrank Bolt
 - 13921 Powder Measure Spacer Plug
 - 13943 Powder Bar Adjustment Screw
 - 13951 Powder Bar Post – Small
 - 13958 Powder Bar Washer
 - 13986 Collar Clamp
 - 14023 8-32x3/4 BH Screw
 - 14033 Rod Spring
 - 14036 Powder Bar Spring
 - 14041 Bowed Washer
 - 14202 Powder Measure Tube Screws
 - 14808 Collar Roller Bushing
 - 16340 Nylon Lock Nut
 - 16814 Failsafe Rod
 - 20062 Powder Bar Assembly – Small
 - 20063 Powder Bar Assembly – Large
 - 20642 SDB Body Collar - assembly
 - 20780 Powder Bar Assembly – Extra Small
 - 21353 Powder Bar Assembly – Extra Large
 - 22273 Powder Measure Body
 - 97034 Slotted Bellcrank & Cube
- ### 20304 Square Deal "B" Failsafe Kit
- 13355 Return Bracket - see schematic on pg. 3
 - 16814 Failsafe Return Rod Assembly
 - 13799 Stripper Wing Nut
 - 13801 Tinnerman Insert
 - 13840 Throttle Clip
 - 14033 Rod Spring
 - 18086 Washer

