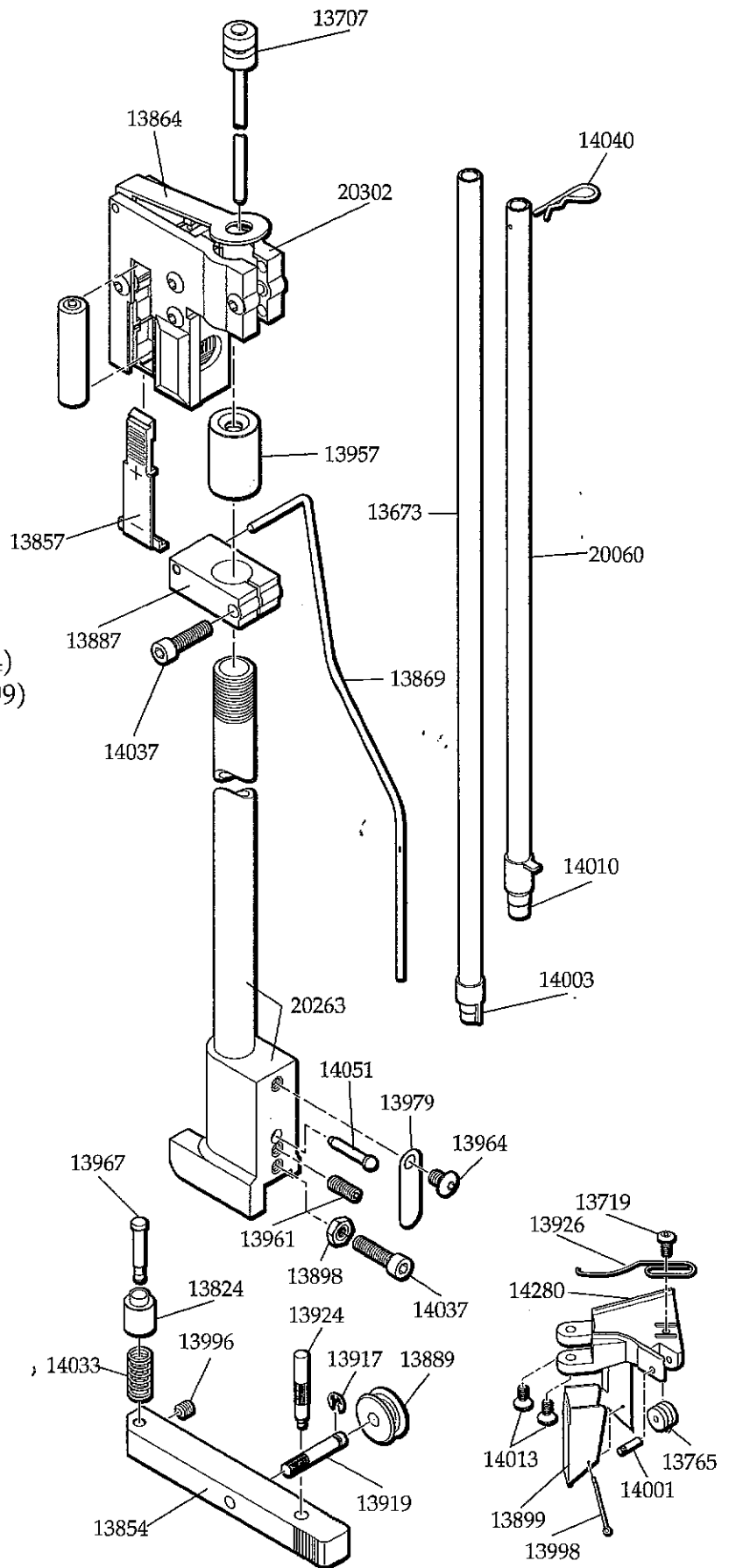


RL 550B Automatic Primer System

- 13673 Primer Magazine, Large
- 13757 Primer Seating Punch, Small
- 13824 Primer Seating Cup, Large
- 13825 Primer Seating Cup, Small
- 13854 Primer Slide
- 13869 Operating Rod
- 13879 Primer Magazine, Small
- 13887 Operating Rod Bracket
- 13889 Large Roller
- 13898 Primer Slide Stop Nut
- 13917 Roller Clip
- 13919 Roller Pin
- 13924 Primer Slide Return Spring Post
- 13957 Primer Shield Cap
- 13961 Slide Pickup Adjustment Screw
- 13964 Primer Feed Stop Spring Screw
- 13967 Primer Seating Punch, Large
- 13979 Primer Feed Stop Spring
- 13996 Primer Punch Set Screw
- 14003 Flexible Orifice Large (small 14024)
- 14010 Pickup Tube Tip Large (small 13999)
- 14033 Primer Seating Cup Spring
- 14037 Clamp/Bracket Screw
- 14040 Retaining Clip
- 14051 Primer Feed Stop Pin
- 20059 Primer Pickup Tube, Small
- 20060 Primer Pickup Tube, Large
- 20263 Primer Housing and Shield
- 20302 Primer Early Warning System**
- 13707 Follower Rod
- 13857 Battery Cover
- 13864 Switch Lever
- 14280 Roller Bracket Assembly**
- 13719 Cartridge Spring Retaining Screw
- 13765 Roller
- 13899 Spent Primer Catcher Chute
- 13926 Cartridge Spring
- 13998 Spent Primer Catcher Pin
- 14001 Roller Pin
- 14013 Roller Bracket Screw(s)
- Complete Primer Slide Assemblies**
- 14281 Primer Slide Assembly, Large
- 14282 Primer Slide Assembly, Small



RL 550B Schematic

