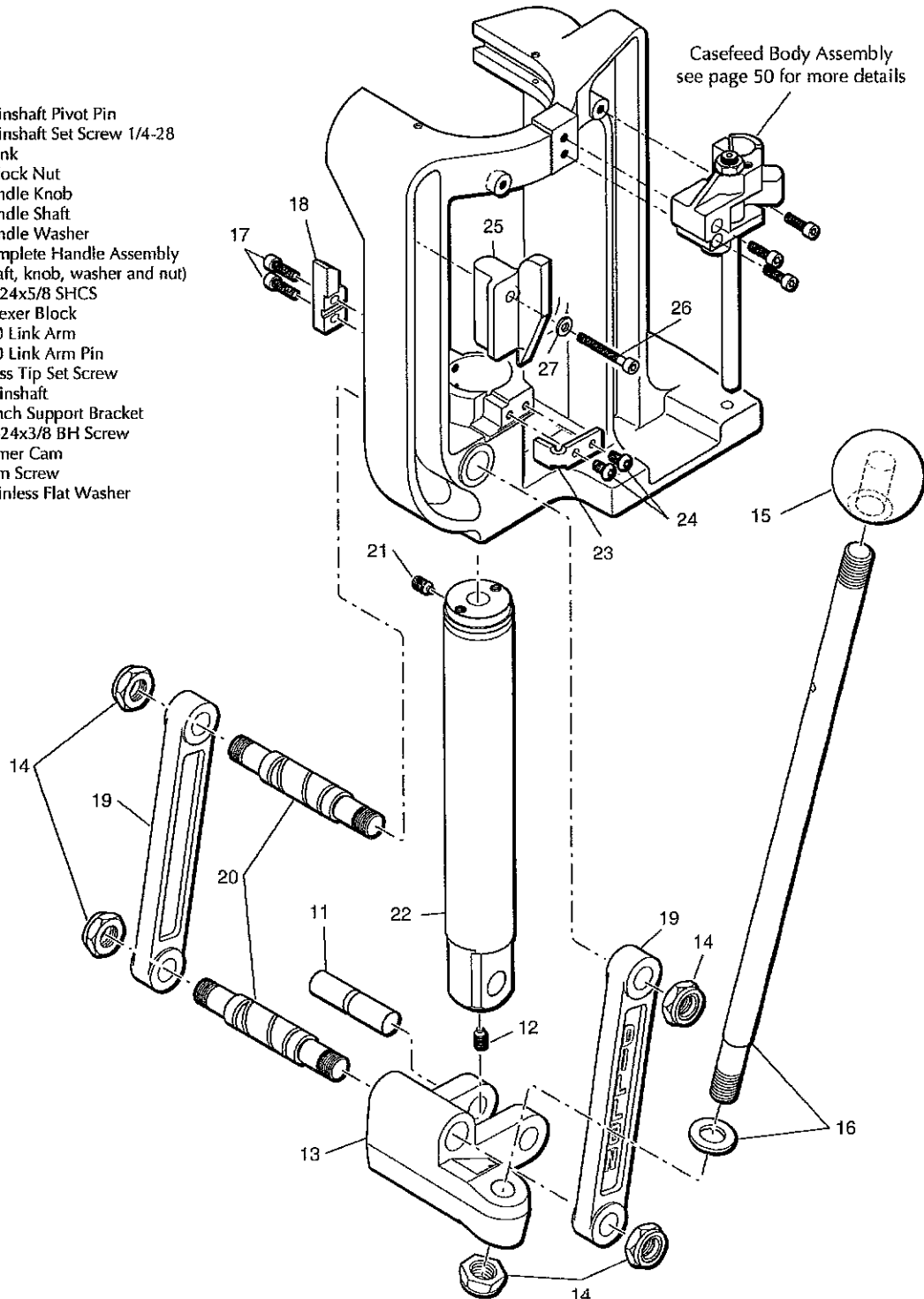
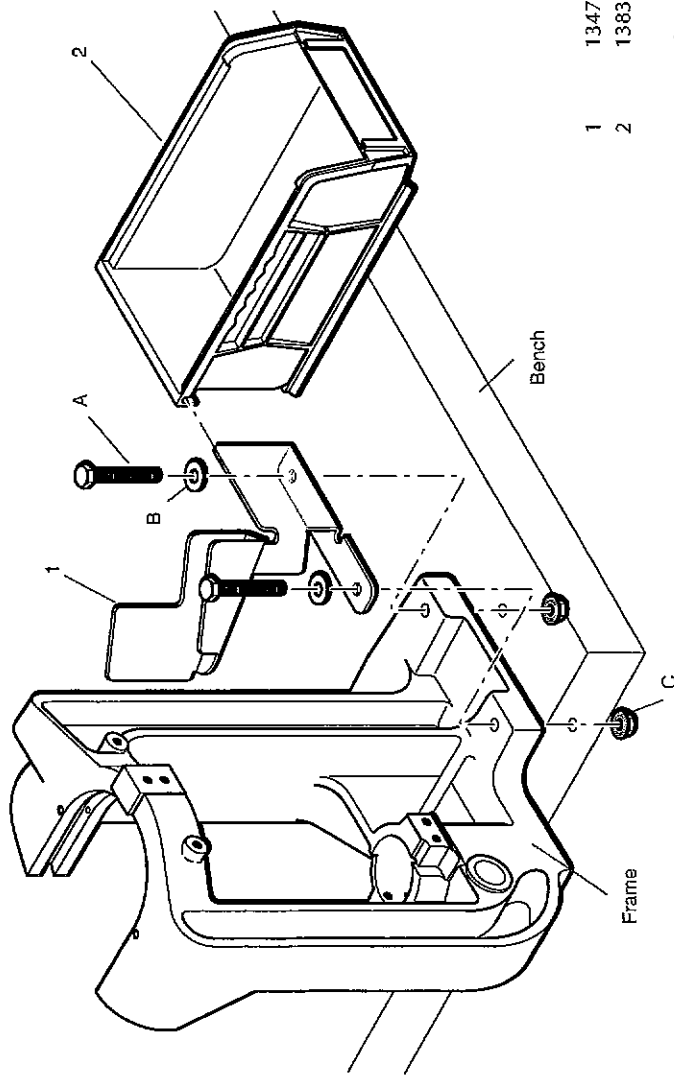


Machine Assembly

- 11 13830 Mainshaft Pivot Pin
- 12 13789 Mainshaft Set Screw 1/4-28
- 13 13674 Crank
- 14 13841 Nylock Nut
- 15 13850 Handle Knob
- 16 13855 Handle Shaft
- 13704 Handle Washer
- 20636 Complete Handle Assembly (shaft, knob, washer and nut)
- 17 13989 10-24x5/8 SHCS
- 18 16776 Indexer Block
- 19 14922 650 Link Arm
- 20 13700 650 Link Arm Pin
- 21 13923 Brass Tip Set Screw
- 22 13485 Mainshaft
- 23 13488 Punch Support Bracket
- 24 13895 10-24x3/8 BH Screw
- 25 13670 Primer Cam
- 26 13905 Cam Screw
- 27 13738 Stainless Flat Washer



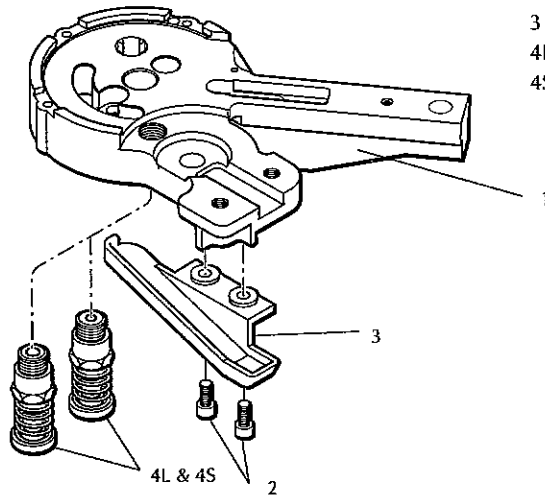
Lower Machine Assembly



- 1 13470 Chute/Bin Mount
- 2 13839 Blue Cartridge Bin

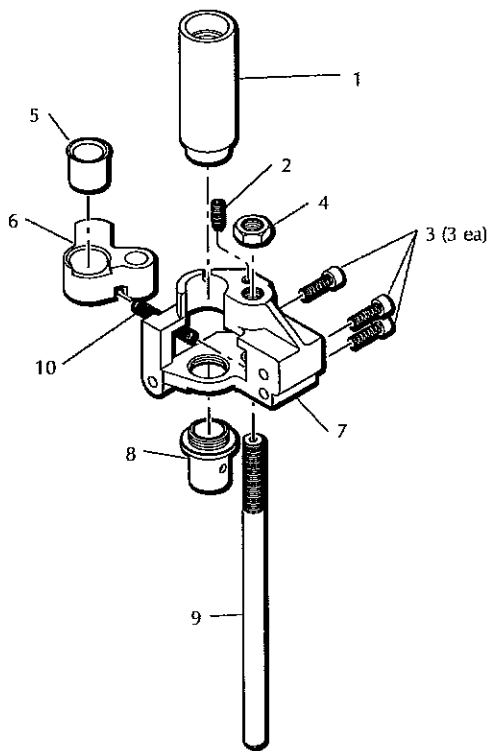
Items A, B, and C included in optional Hardware Mounting Kit, #16600.

Primer Punch Assembly



- 1 16658 Platform
- 2 14013 8-32x3/8 Cap Screw
- 3 16210 Primer Chute
- 4L 21380 Rev B Seater Assembly, Large
- 4S 21381 Rev B Seater Assembly, Small

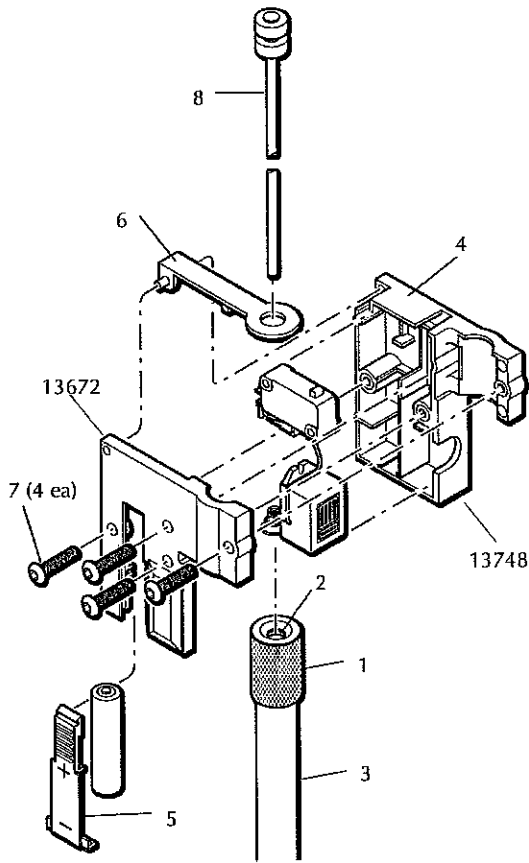
Casefeed Body Assembly



- *1 13541 Casefeed Adapter (Black)
- 14394 Casefeed Adapter (BlackModT)
- 14395 Casefeed Adapter (BlackModS)
- 13450 Casefeed Adapter (Green)
- 13386 Casefeed Adapter (Orange)
- 14313 Casefeed Adapter (OrangeMod)
- 14851 Casefeed Adapter (Orange220)
- 13143 Casefeed Adapter (Red)
- 13575 Casefeed Adapter (White)
- 13442 Casefeed Adapter (Yellow)
- 13075 Casefeed Adapter (Blue)
- 15186 Casefeed Adapter (BlueMod)
- 18076 Casefeed Adapter (Purple)
- 2 14326 Casefeed Arm Stop Pin
- 3 13989 Casefeed Body Screws
- 4 13901 Cam Pin Jam Nut 3/8-24
- *5 13412 Casefeed Arm Bushing (Green) Small Pistol
- 13403 Casefeed Arm Bushing (Red) Medium Pistol
- 13661 Casefeed Arm Bushing (White) Rifle
- 13619 Casefeed Arm Bushing (Yellow) Large Pistol
- 14397 Casefeed Arm Bushing (Nickel) Large & Magnum Calibers
- 6 13716 Casefeed Arm
- 7 13080 Casefeed Body Assembly (Standard) does not include items 1, 5, or 8
- 13558 Casefeed Body - part (Standard)
- 14979 Casefeed Body - part (Extra Large/Magnum)
- 22225 Casefeed Body Assembly (Extra Large/Magnum)
- *8 13639 Casefeed Body Bushing, Large
- 13604 Casefeed Body Bushing, Medium
- 13513 Casefeed Body Bushing, Small
- 13384 Casefeed Body Bushing, .38
- 14396 Casefeed Body Bushing, .45/70
- 9 13371 Camming Pin
- 10 13936 Casefeed Arm Return Spring

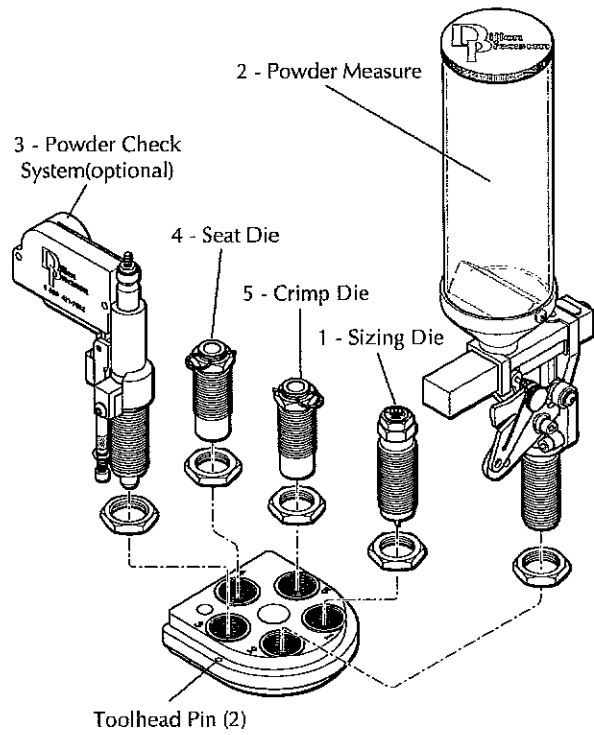
* Indicates items included in caliber conversion kits.

Primer Early Warning Buzzer Assembly #20302



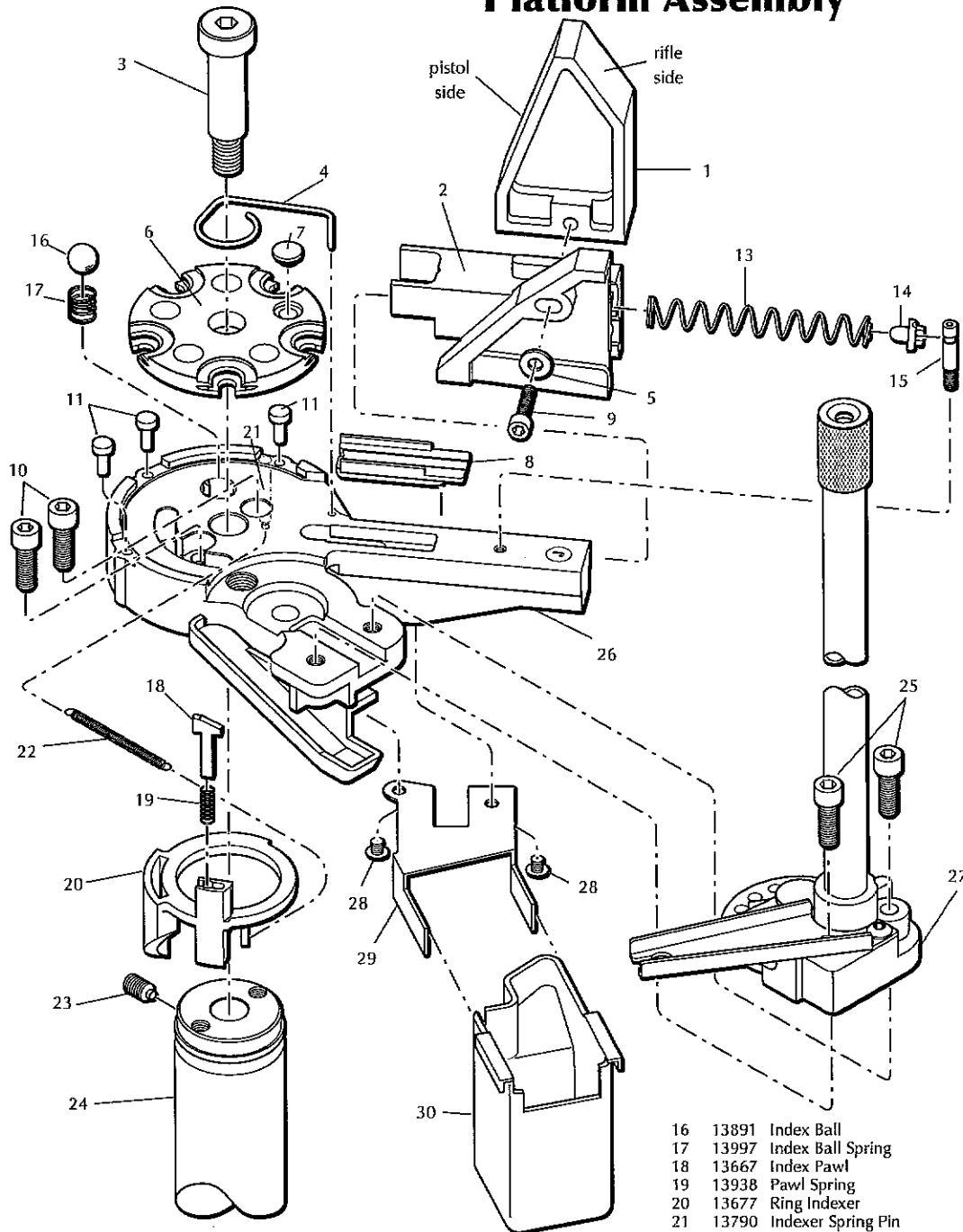
- | | | |
|----|-------|--------------------------|
| 1 | 13957 | Magazine Shield Cap |
| 2L | 22033 | Primer Magazine, Large |
| 2S | 22032 | Primer Magazine, Small |
| 3 | 21279 | Primer Feed Body Housing |
| 4 | 20302 | Early Warning Buzzer |
| 5 | 13857 | Battery Cover |
| 6 | 13864 | Switch Lever |
| 7 | 14023 | Buzzer Housing Screw |
| 8 | 13707 | Follower Rod |

Toolhead Assembly & Orientation #13863 - XL650 Toolhead



- | | |
|-----------|-----------------------|
| Station 1 | Sizing Die |
| Station 2 | Powder Measure System |
| Station 3 | Powder Check System |
| Station 4 | Seat Die |
| Station 5 | Crimp Die |

Platform Assembly



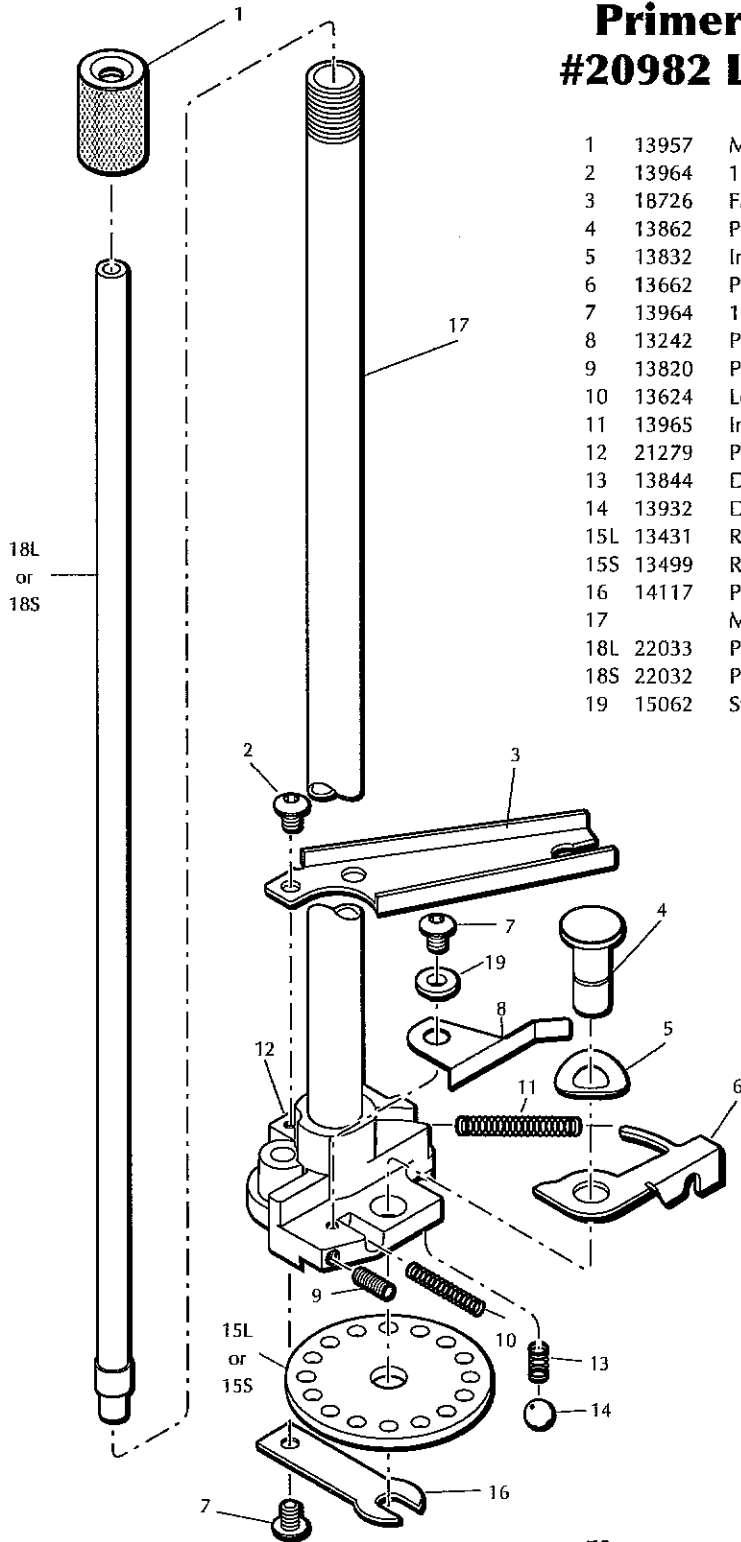
- 1, 2 97082 Case Insert Slide & Slide Cam (1)
- (Note: This assembly includes: 13937, Case Insert Slide Spring; 14574, Insert Slide Spring Cap; 13311, Slide Spring Pin; 13738, Stainless Flat Washer; and 14037, Cam Screw.)
- 3 13418 Shellplate Bolt
- 4 13298 Ejector Wire
- 5 13738 Stainless Flat Washer
- 6 Shellplate - caliber specific
- 7 14050 Shellplate Cap

- 8 Station 1 Locator - caliber specific
- 9 14037 Cam Screw
- 10 13966 Platform Mount Bolt
- 11 Locator Pins - caliber specific
- 12 13874 Station 1 Locator Tab Spring
- 13 13937 Case Insert Slide Spring
- 14 14574 Insert Slide Spring Cap
- 15 13311 Slide Spring Pin

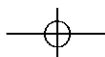
- 16 13891 Index Ball
- 17 13997 Index Ball Spring
- 18 13667 Index Pawl
- 19 13938 Pawl Spring
- 20 13677 Ring Indexer
- 21 13790 Indexer Spring Pin
- 22 13791 Indexer Return Spring
- 23 13923 Brass Tip Set Screw
- 24 13485 Mainshaft
- 25 14138 Primer System Mounting Bolts
- 26 22060 Platform
- 27 21279 Primer Feedbody Housing
- 28 14689 Primer Cup Bracket Screw
- 29 16209 Spent Primer Cup Bracket
- 30 16211 Spent Primer Cup



Primer System Assembly #20982 Large, #21065 Small



1	13957	Magazine Shield Cap
2	13964	10/24x1/4 BH Screw
3	18726	Failsafe Bracket
4	13862	Primer Disc Pin
5	13832	Index Arm Bowed Washer
6	13662	Primer Indexing Arm
7	13964	10/24x1/4 BH Screw
8	13242	Primer Station Locator Tab
9	13820	Primer Station Locator Tab Set Screw 8-32 Thd.
10	13624	Locator Tab Spring
11	13965	Indexing Arm Spring
12	21279	Primer Feedbody Housing
13	13844	Disc Detent Spring
14	13932	Disc Detent Ball
15L	13431	Rotary Primer Disc, Large
15S	13499	Rotary Primer Disc, Small
16	14117	Primer Support Shim
17		Magazine Shield (not sold separately)
18L	22033	Primer Magazine, Large
18S	22032	Primer Magazine, Small
19	15062	Station 2 Locator Tab Bushing



Complete Powder Measure Assembly #20782

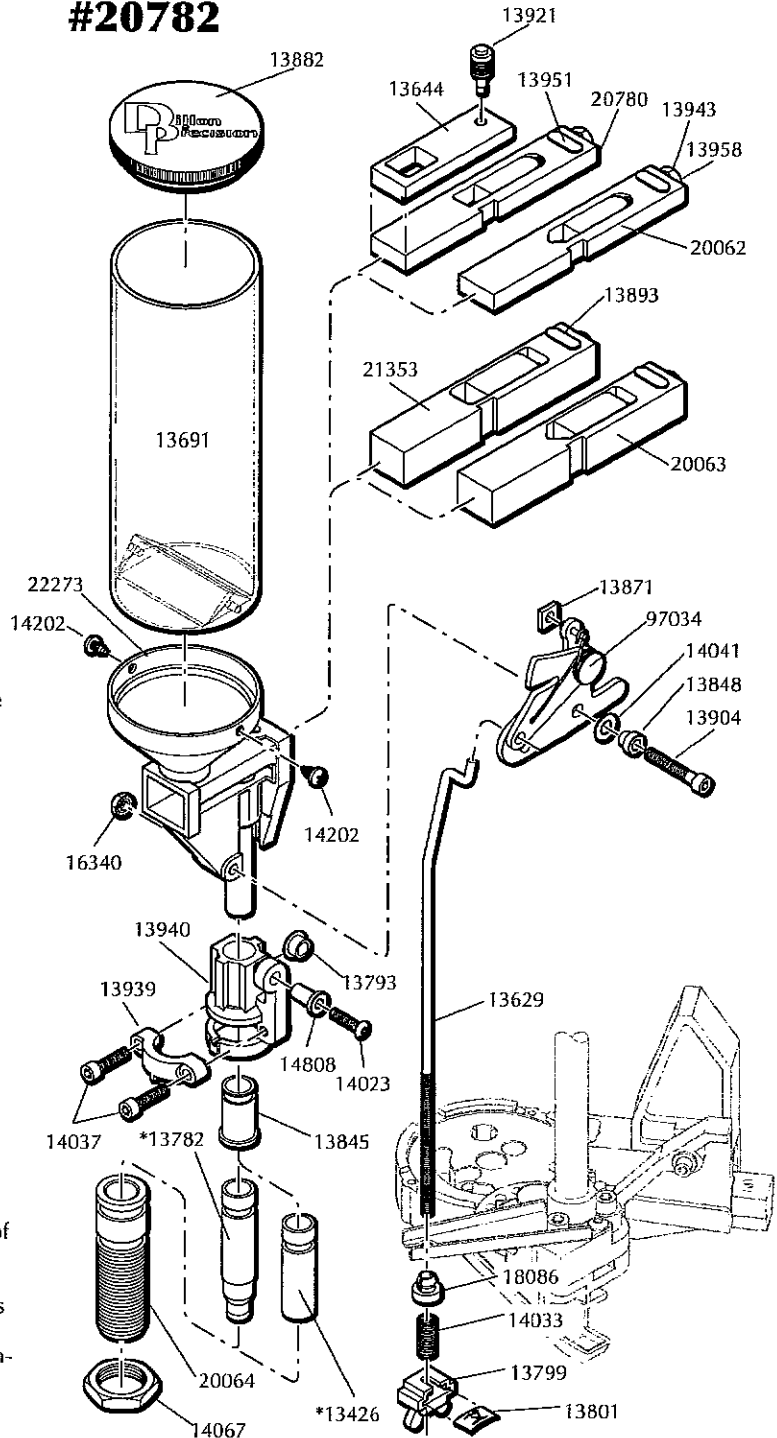
- 13426 * Powder Funnel, .22 cal rifle
- 13644 Powder Bar Spacer
- 13691 Powder Measure Tube Only
- 13782 * Powder Funnel, .45 cal pistol
- 13848 Bellcrank Bushing
- 13871 Bellcrank Cube
- 13882 Powder Measure Lid
- 13893 Powder Bar Post, Large
- 13904 Bellcrank Screw
- 13921 Plastic Plug
- 13943 Powder Bar Bolt
- 13951 Powder Bar Post, Small
- 13958 Powder Bar Bolt Washer
- 14041 Bowed Washer
- 14067 Die Lock Ring
- 14202 Powder Measure Tube Screws
- 16340 10-32 Nylon Lock Nut
- 20062 Powder Bar Assembly, Small
- 20063 Powder Bar Assembly, Large
- 20064 Powder Die
- 20780 Powder Bar Assembly, Extra Small
- 21253 Oversize Powder Die
- 21353 Powder Bar Assembly, Extra Large
- 22273 Powder Measure, Part
- 97034 Slotted Bellcrank
- 21275 Connector Body Collar - Complete**
- 13793 Roller
- 13845 Collar Sleeve
- 13939 Body Collar Clamp
- 13940 Body Collar - Part
- 14023 8-32 x 3/4 BH Screw
- 14037 Clamp/Bracket Screw
- 14808 Collar Roller Bushing
- 22172 Powder Measure Failsafe Kit**
- 13629 Failsafe Rod
- 13799 Stripper Wing Nut
- 13801 Tinnerman Nut Insert
- 14033 Rod Spring
- 18086 Shoulder Washer

NOTE: * Indicates caliber specific parts – see the caliber conversion chart for the correct part number for the caliber you are loading for.

WARNING

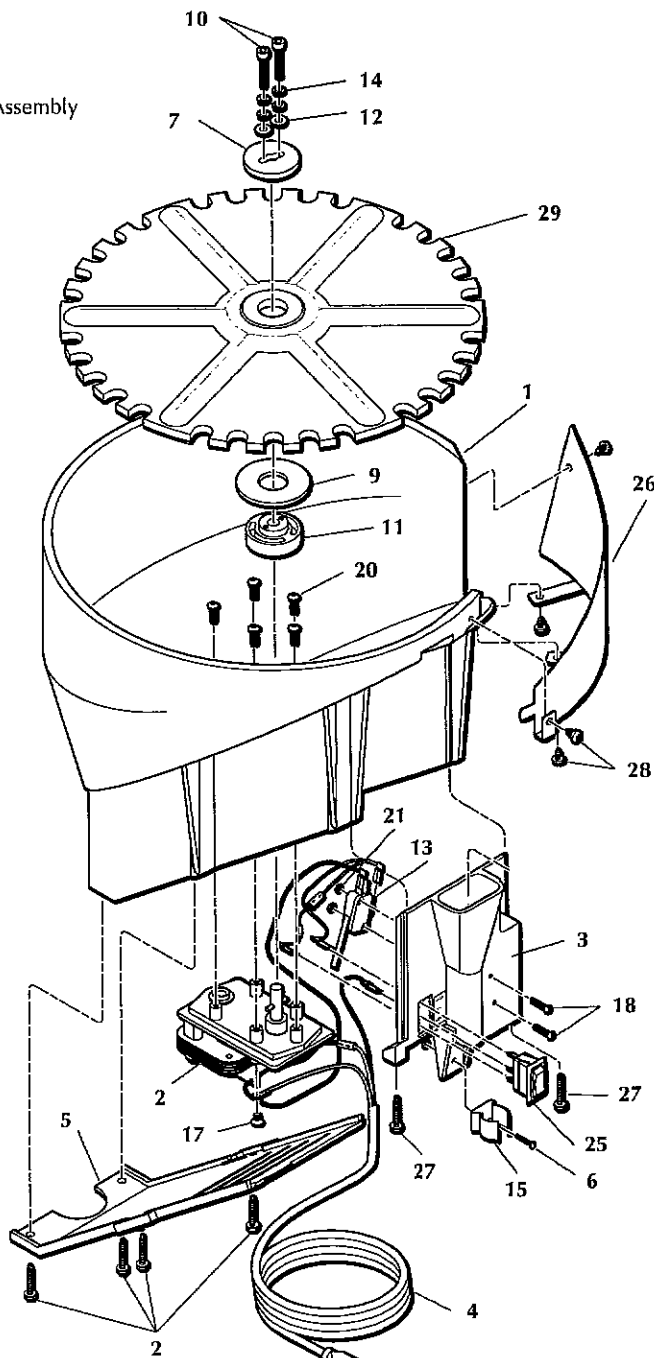
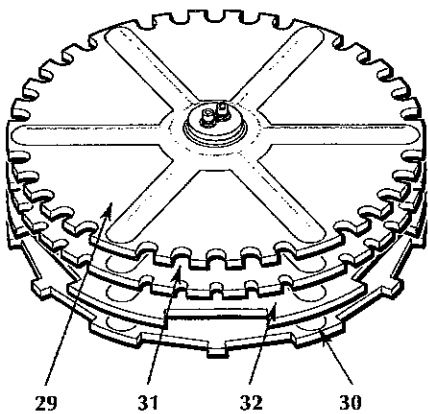
This powder measure drops a full charge of powder each time the operating handle is cycled. If, for any reason, you believe that more than a single measure of powder was dropped or you think that you may have cycled the handle more than once on a single case, you need to empty the case and start over.

A double-charged case can result in bodily injury or a damaged firearm.

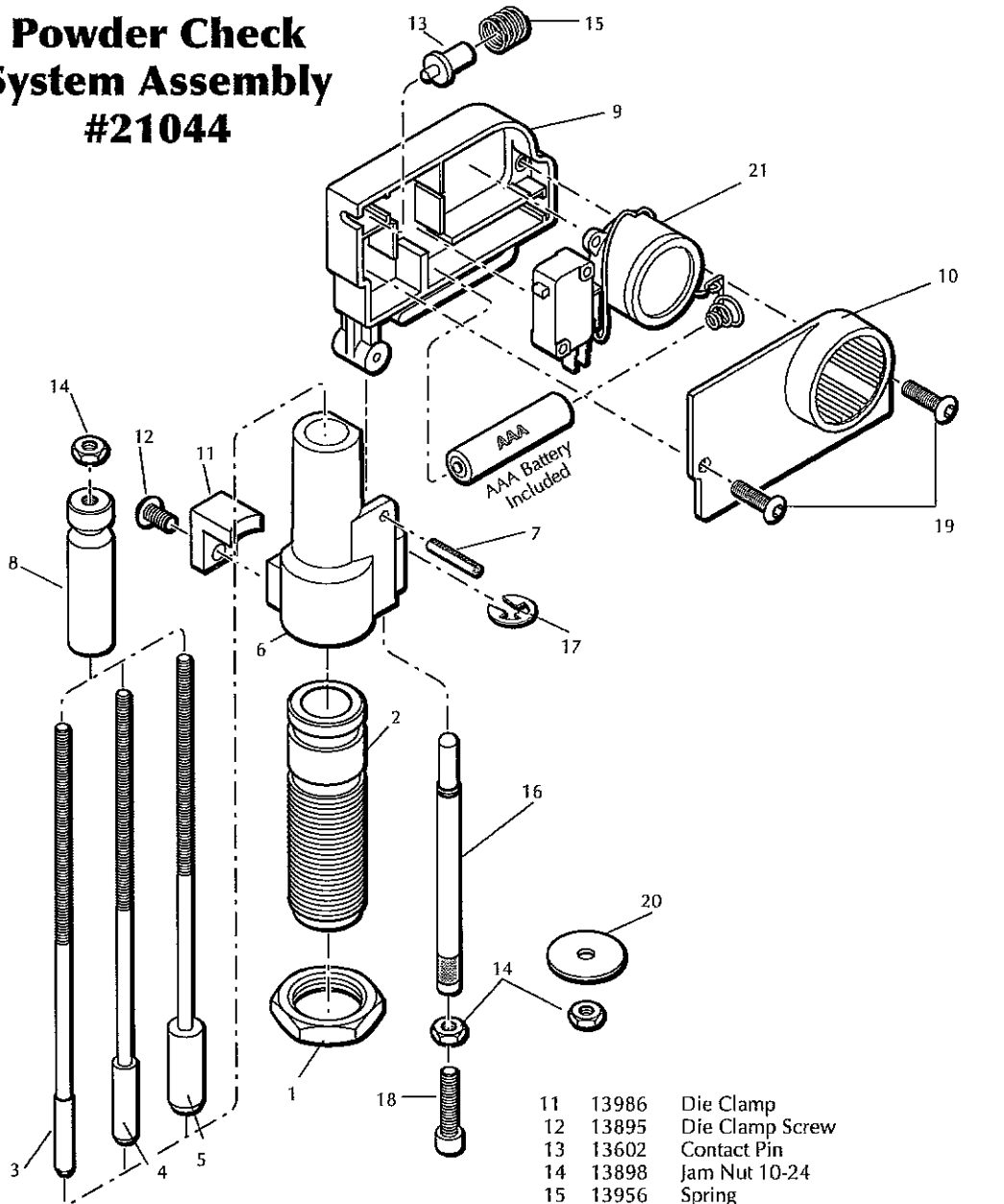


Casefeed Assembly

- 1 13400 Casefeed Bowl
- 2 13473 Motor
- 3 13494 Casefeed Funnel - part, Small
- 22173 Casefeed Funnel Assembly
- 22174 Belted Magnum/.45-70 Casefeed Funnel Assembly
- 4 13539 Power Cord
- 5 13540 Motor Cover
- 6 13623 1/4-20x5/8 Casefeed Post Set Screw
- 7 13632 Upper Clutch
- 9 13703 Washer
- 10 13732 Clutch Screws (2)
- 11 13736 Lower Clutch
- 12 13738 Flat Washer (2 - #10 Stainless Washers)
- 13 13779 Micro Switch
- 14 13813 Lock Washer (4)
- 15 13859 Tube Spring Clamp
- 16 13602 Zener Diode (not shown)
- 17 13912 Cover Screw
- 18 13954 Micro Switch Screws (2)
- 19 14025 Drive Pin (1/8 Roll Pin) (Not Shown)
- 20 14026 Motor Mount Screw (5)
- 21 14038 Micro Switch & Bracket Nut
- 22 14137 8 x 1 Cover Screw (4) (not shown)
- 23 14393 Casefeed Funnel, Large
- 24 15433 Casefeed Port Cuff (not shown)
- 25 13812 Lighted Rocker Switch
- 26 17808 Casefeed Bowl Insert
- 27 17586 8 x 1 1/4 Funnel Screw (2)
- 28 17587 8 x 1/4 Phl. Pn. Screw (4)
- 29 21072 Large Pistol Plate
- 30 21073 Small Pistol Plate
- 31 21074 Small Rifle Plate
- 32 21075 Large Rifle Plate
- 18420 Magnum Rifle Plate (Not Shown)



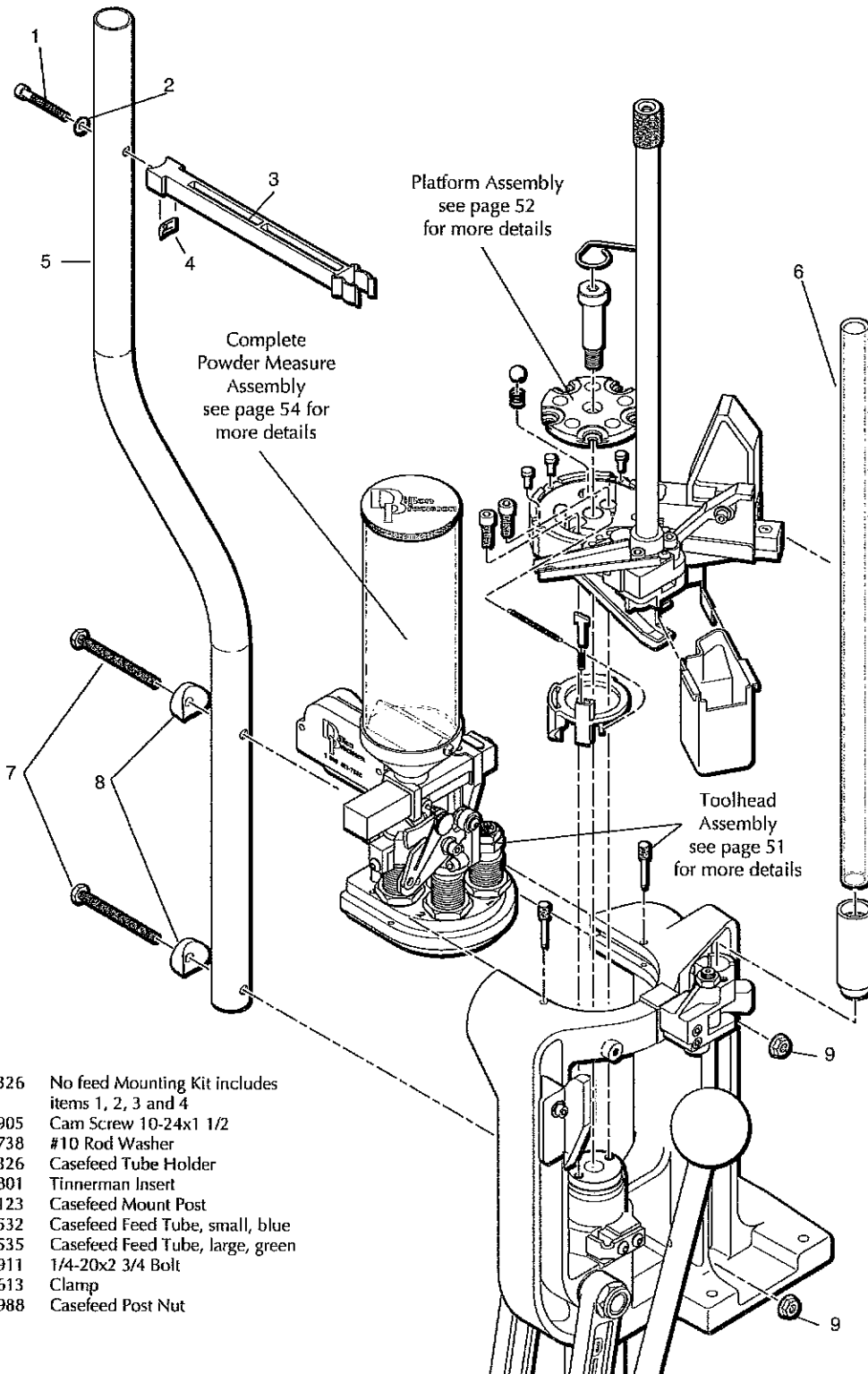
Powder Check System Assembly #21044



- 1 14067 Die locking
- 2 13990 Powder Die
- 3 21372 Powder Check Rod .22-.29 Cal.
- 4 21373 Powder Check Rod .30-.41 Cal.
- 5 21374 Powder Check Rod .44-.45 Cal.
- 6 10552 Die Collar
- 7 14025 Collar Roll Pin
- 8 12685 Check Rod Sleeve
- 9 13538 Buzzer Housing
- 10 13537 Buzzer Housing Cover

- 11 13986 Die Clamp
- 12 13895 Die Clamp Screw
- 13 13602 Contact Pin
- 14 13898 Jam Nut 10-24
- 15 13956 Spring
- 16 13603 Die Push Rod
- 17 13837 Die E Clip
- 18 14037 Push Rod Screw (10-24x3/4)
- 19 13983 Cover Screw (8/32x5/8)
- 20 14157 Washer
- 21 21382 Includes Housing (#13538), Buzzer, Microswitch and Pin

Extra Powder Check Rods can be purchased complete with sleeve (12685) and jam nut (13898).
 21372 Powder Check Rod Assembly .22-.29 Cal.
 21373 Powder Check Rod Assembly .30-.41 Cal.
 21374 Powder Check Rod Assembly .44-.45 Cal.



21326 No feed Mounting Kit includes items 1, 2, 3 and 4

- 1 13905 Cam Screw 10-24x1 1/2
- 2 13738 #10 Rod Washer
- 3 21326 Casefeed Tube Holder
- 4 13801 Tinnerman Insert
- 5 17123 Casefeed Mount Post
- 6 20532 Casefeed Feed Tube, small, blue
- 20535 Casefeed Feed Tube, large, green
- 7 13911 1/4-20x2 3/4 Bolt
- 8 13613 Clamp
- 9 13988 Casefeed Post Nut