

C.I.P.**303 British**

TAB.

II

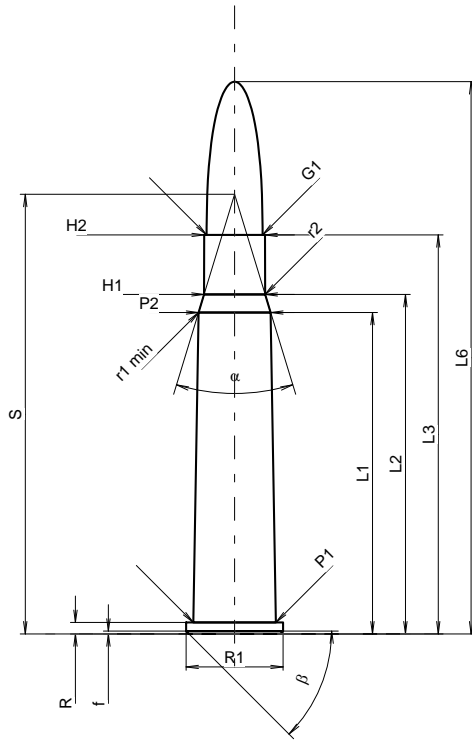
Date

84-06-14

Révision

08-09-23

Pays d'origine: GB

**CARTOUCHE MAXI****Longueurs**

L1 *	=	45.47
L2 *	=	48.01
L3 ¹⁾	=	56.44
L4	=	
L5	=	
L6	=	78.11

Culot

R ¹⁾	=	1.63	-0.25
R1	=	13.72	
R3	=		
E	=		
E1	=		
e min	=		
delta	=		
f	=	0.40	
beta	=	45°	

Chambre à poudre

P1	=	11.68
P2 *	=	10.19

Cône de raccordement

alpha	=	33°56'9"
S	=	62.17
r1 min	=	2.29
r2	=	2.29

Collet

H1 *	=	8.64
H2 ¹⁾	=	8.59

Projectile

G1 ¹⁾	=	7.92
G2	=	
F	=	
L3+G ¹⁾	=	71.07

Pressions (Énergies)**Méthode transducteur**

Pmax	=	3650 bar
PK	=	4198 bar
PE	=	4560 bar
M	=	25.00
EE	=	2910 Joule

Autres indications

Fe ¹⁾⁴⁾	=	0.15
delta L	=	

CHAMBRE MINI**Longueurs**

L1 *	=	46.04
L2 *	=	48.06
L3 ¹⁾	=	56.44

Cuvette

R ¹⁾	=	1.63
R1	=	13.97
R2	=	
R3	=	
r	=	

Chambre à poudre

E	=	
P1 ¹⁾	=	11.74
P2 *	=	10.25

Cône de raccordement

alpha	=	40°29'21"
S	=	59.94
r1 max	=	
r2	=	

Collet

H1 *	=	8.76
H2 ¹⁾	=	8.66

Prise de rayures

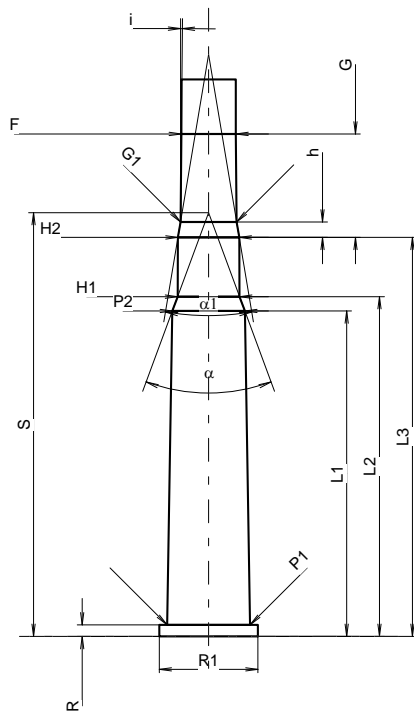
G1 ¹⁾ *	=	7.93
G ¹⁾ *	=	14.63
alpha1	=	19°
h *	=	2.18
s	=	
i ¹⁾	=	0°31'45"
w	=	

Canon

F ¹⁾ *	=	7.70
Z ¹⁾	=	7.98

Rayures

b	=	2.12
N	=	5
u	=	254.00
Q	=	48.07 mm ²



Échelle 1:1.07

Dimensions en << mm >>
Dimensions et tolérances pour les canons
d'épreuve: Voyez Annexe CR 1.

Notes: 1) A' contrôler pour la sécurité
4) Feuillure sur la bourrelet
* Dimensions de base