

C.I.P.**308 Win.**

TAB.

I

Date

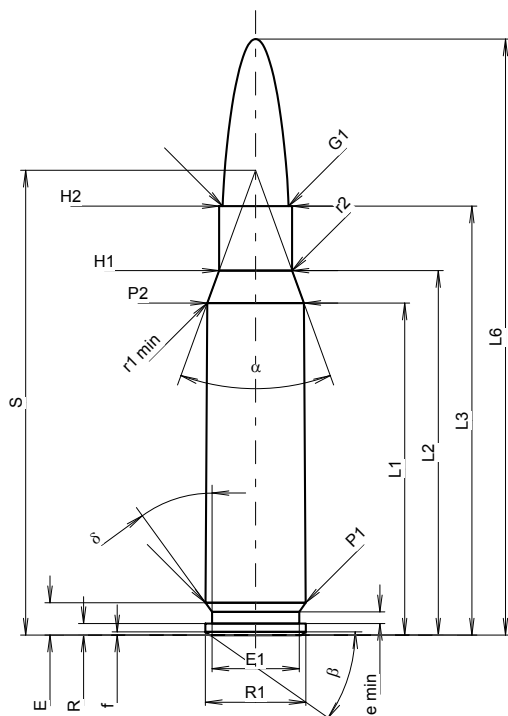
84-06-14

Révision

08-09-23

Pays d'origine: US

Marquage alternatif: 308 Winchester, 7,62 x 51

**CARTOUCHE MAXI****Longueurs**

L1 ¹⁾	=	39.62	-0.20
L2 ¹⁾	=	43.48	-0.20
L3 ¹⁾	=	51.18	
L4	=		
L5	=		
L6	=	71.12	

Culot

R	=	1.37	
R1	=	12.01	
R3	=		
E	=	3.85	
E1	=	10.39	
e min	=	1.40	
delta	=	36°	
f	=	0.38	
beta	=	35°	

Chambre à poudre

P1	=	11.96	
P2 ¹⁾ *	=	11.53	-0.20

Cône de raccordement

alpha [*]	=	40°	
S [*]	=	55.46	
r1 min	=	0.76	
r2	=	3.18	

Collet

H1 [*]	=	8.72	
H2 ¹⁾	=	8.72	

Projectile

G1 ¹⁾	=	7.85	
G2	=		
F	=		
L3+G ¹⁾	=	58.16	

Pressions (Énergies)**Méthode transducteur**

Pmax	=	4150 bar	
PK	=	4773 bar	
PE	=	5190 bar	
M	=	25.00	
EE	=	3920 Joule	

Autres indications

Fe ¹⁾³⁾	=	0.10	
delta L	=	0.10	

CHAMBRE MINI**Longueurs**

L1	=	39.48	
L2	=	43.28	
L3 ¹⁾	=	51.44	

Cuvette

R	=		
R1	=	12.03	
R2	=		
R3	=		
r	=		

Chambre à poudre

E	=	3.85	
P1 ¹⁾	=	11.99	
P2 [*]	=	11.56	

Cône de raccordement

alpha ^{1)*)}	=	40°	
S [*]	=	55.36	
r1 max	=	0.76	
r2	=	3.68	

Collet

H1 [*]	=	8.79	
H2 ¹⁾	=	8.74	

Prise de rayures

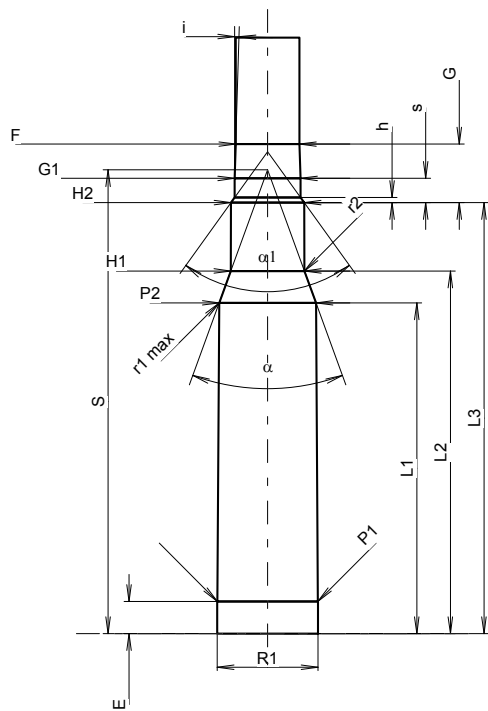
G1 ^{1)*)}	=	7.87	
G ¹⁾	=	6.98	
alpha 1 [*]	=	71°25'59"	
h	=	0.60	
s	=	2.89	
i ^{1)*)}	=	1°45'	
w	=		

Canon

F ^{1)*)}	=	7.62	
Z ¹⁾	=	7.82	

Rayures

b	=	4.47	
N	=	4	
u	=	305.00	
Q	=	47.51	mm ²



Échelle 1.11:1

Dimensions en << mm >>
Dimensions et tolérances pour les canons
d'épreuve: Voyez Annexe CR 1.

Notes: 1) A' contrôler pour la sécurité
3) Feuillure sur la cone de raccordement
* Dimensions de base