

C.I.P.**45 Colt**

TAB. IV

Date 91-02-20

Pays d'origine: US

Révision 00-06-07

CARTOUCHE MAXI**CHAMBRE MINI****Longueurs**

| | | |
|------------------|---|-------|
| L1 | = | |
| L2 | = | |
| L3 ¹⁾ | = | 32.64 |
| L4 | = | |
| L5 | = | |
| L6 | = | 40.64 |

Longueurs

| | | |
|------------------|---|-------|
| L1 | = | |
| L2 | = | |
| L3 ¹⁾ | = | 32.89 |

Culot

| | | | |
|-----------------|---|-------|-------|
| R ¹⁾ | = | 1.52 | -0.25 |
| R1 | = | 13.00 | |
| R3 | = | | |
| E | = | | |
| E1 | = | | |
| e min | = | | |
| δ | = | | |
| f | = | 0.40 | |
| β | = | 35° | |

Cuvette

| | | |
|-----------------|---|-------|
| R ¹⁾ | = | 1.52 |
| R1 | = | 13.11 |
| R2 | = | |
| R3 | = | |
| r | = | |

Chambre à poudre

| | | |
|----|---|-------|
| P1 | = | 12.19 |
| P2 | = | |

Chambre à poudre

| | | |
|------------------|---|-------|
| E | = | |
| P1 ¹⁾ | = | 12.37 |
| P2 | = | |

Cône de raccordement

| | | |
|--------|---|--|
| α | = | |
| S | = | |
| r1 min | = | |
| r2 | = | |

Cône de raccordement

| | | |
|--------|---|--|
| α | = | |
| S | = | |
| r1 max | = | |
| r2 | = | |

Collet

| | | |
|------------------|---|-------|
| H1 | = | |
| H2 ¹⁾ | = | 12.19 |

Collet

| | | |
|------------------|---|-------|
| H1 | = | |
| H2 ¹⁾ | = | 12.19 |

Projectile

| | | |
|--------------------|---|-------|
| G1 ¹⁾ | = | 11.58 |
| G2 | = | |
| F | = | |
| L3+G ¹⁾ | = | 44.38 |

Prise de rayures

| | | |
|-------------------|---|----------|
| G1 ^{1)*} | = | 11.57 |
| G ¹⁾ | = | 11.74 |
| α1 [*] | = | 15°30' |
| h | = | 2.28 |
| s | = | 9.60 |
| i ^{1)*} | = | 4°34'59" |
| w | = | |

Pressions (Énergies)**Méthode transducteur**

| | | |
|------|---|----------|
| Pmax | = | 1100 bar |
| PK | = | 1265 bar |
| PE | = | 1430 bar |
| M | = | 12.50 |

Canon

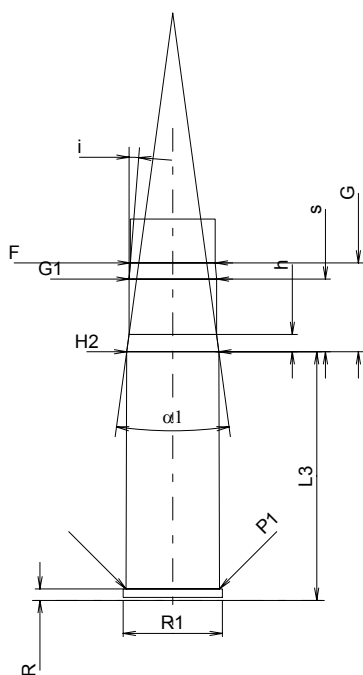
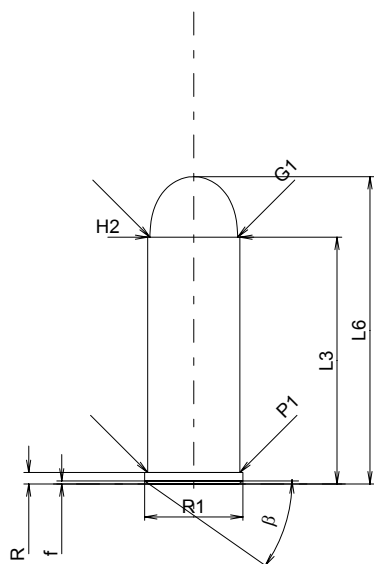
| | | |
|------------------|---|-------|
| F ^{1)*} | = | 11.23 |
| Z ¹⁾ | = | 11.43 |

Rayures

| | | |
|---|---|------------------------|
| b | = | 3.96 |
| N | = | 6 |
| u | = | 406.00 |
| Q | = | 101.48 mm ² |

Autres indications

| | | |
|------------------|---|------|
| Fe ¹⁾ | = | 0.25 |
| delta L | = | |



Échelle 1:1

Dimensions en << mm >>
Dimensions et tolérances pour les canons
d'épreuve: Voyez Annexe CR 1.

Notes: 1) A' contrôler pour la sécurité
* Dimensions de base