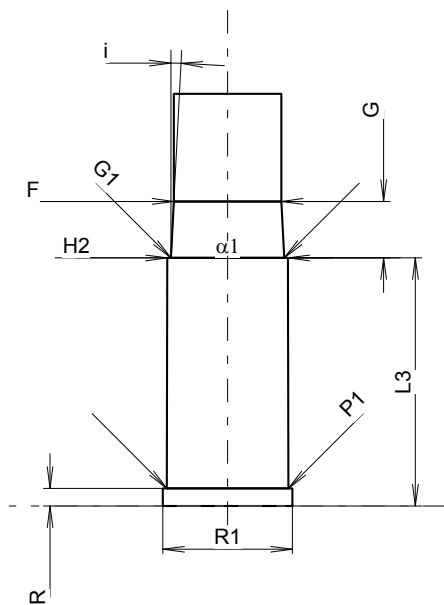
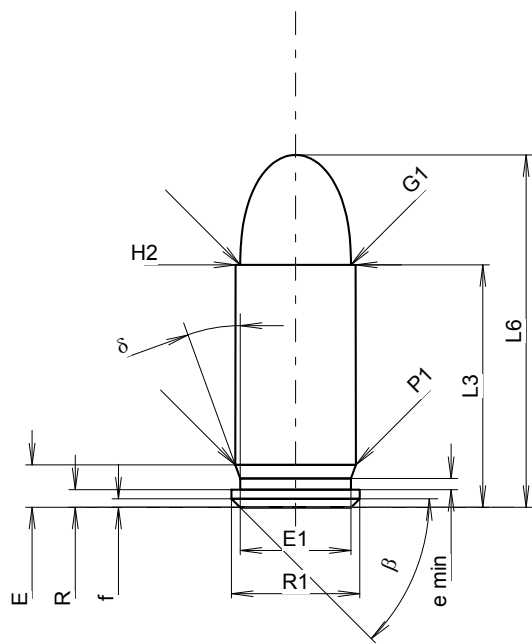


C.I.P.**7,65 mm Browning**

TAB.	IV
Date	84-06-14
Révision	08-09-23

Pays d'origine: BE

Marquage alternatif: 32 Auto(matic), 32 ACP



Échelle 1.86:1

CARTOUCHE MAXI**Longueurs**

L1	=	
L2	=	
L3 ¹⁾	=	17.20
L4	=	
L5	=	
L6	=	25.00

Culot

R ¹⁾	=	1.25	-0.25
R1	=	9.10	
R3	=		
E	=	3.01	
E1	=	7.85	
e min	=	0.80	
delta	=	20°	
f	=	0.60	
beta	=	45°	

Chambre à poudre

P1	=	8.55
P2	=	

Cône de raccordement

alpha	=	
S	=	
r1 min	=	
r2	=	

Collet

H1	=	
H2 ¹⁾	=	8.52

Projectile

G1 ¹⁾	=	7.85
G2	=	
F	=	
L3+G ¹⁾	=	21.21

Pressions (Énergies)**Méthode transducteur**

Pmax	=	1600 bar
PK	=	1840 bar
PE	=	2080 bar
M	=	10.50

Autres indications

Fe ¹⁾⁴⁾	=	0.30
delta L	=	

CHAMBRE MINI**Longueurs**

L1	=	
L2	=	
L3 ¹⁾	=	17.60

Cuvette

R ¹⁾	=	1.25
R1	=	9.20
R2	=	
R3	=	
r	=	

Chambre à poudre

E	=	
P1 ¹⁾	=	8.62
P2	=	

Cône de raccordement

alpha	=	
S	=	
r1 max	=	
r2	=	

Collet

H1	=	
H2 ¹⁾	=	8.55

Prise de rayures

G1 ¹⁾ *	=	8.05
G ¹⁾ *	=	4.01
alpha1	=	180°
h	=	
s	=	
i ¹⁾	=	2°59'52"
w	=	

Canon

F ¹⁾ *	=	7.63
Z ¹⁾	=	7.83

Rayures

b	=	2.69
N	=	6
u	=	250.00
Q	=	47.37 mm ²

Dimensions en << mm >>
Dimensions et tolérances pour les canons
d'épreuve: Voyez Annexe CR 1.

Notes: 1) A' contrôler pour la sécurité
4) Feuillure sur la bourrelet
* Dimensions de base