

C.I.P.**30-06 Spring.**

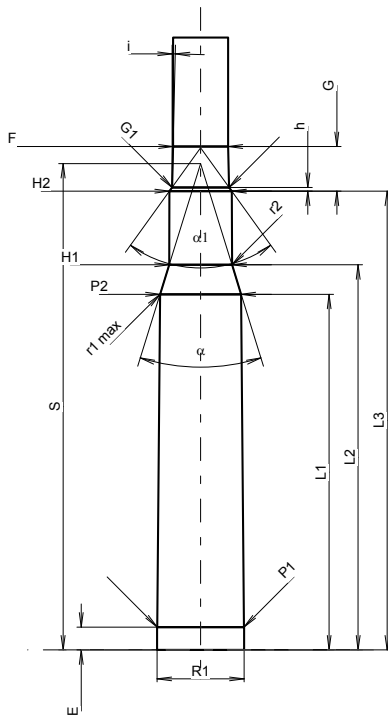
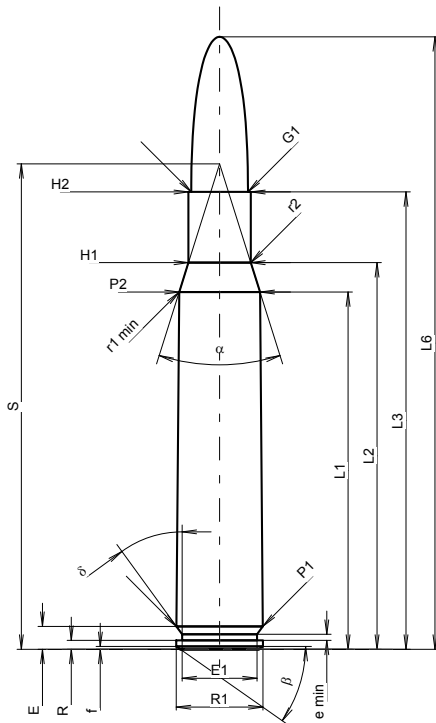
TAB. I

Date 84-06-14

Pays d'origine: US

Révision 08-09-23

Marquage alternatif: 30-06 Springfield, 30-06, 7,62 x 63



Échelle 1:1.05

Dimensions en << mm >>
Dimensions et tolérances pour les canons
d'épreuve: Voyez Annexe CR 1.

CARTOUCHE MAXI**Longueurs**

L1 ¹⁾	=	49.49	-0.20
L2 ¹⁾	=	53.56	-0.20
L3 ¹⁾	=	63.35	
L4	=		
L5	=		
L6	=	84.84	

Culot

R	=	1.24	
R1	=	12.01	
R3	=		
E	=	3.16	
E1	=	10.39	
e min	=	0.84	
delta	=	36°	
f	=	0.38	
beta	=	35°	

Chambre à poudre

P1	=	11.96	
P2 ¹⁾ *	=	11.20	-0.20

Cône de raccordement

alpha [*]	=	35°	
S [*]	=	67.25	
r1 min	=	1.27	
r2	=	2.54	

Collet

H1 [*]	=	8.63	
H2 ¹⁾	=	8.63	

Projectile

G1 ¹⁾	=	7.85	
G2	=		
F	=		
L3+G ¹⁾	=	69.54	

Pressions (Énergies)**Méthode transducteur**

Pmax	=	4050 bar	
PK	=	4658 bar	
PE	=	5060 bar	
M	=	25.00	
EE	=	4335 Joule	

Autres indications

Fe ¹⁾³⁾	=	0.10	
delta L	=	0.16	

CHAMBRE MINI**Longueurs**

L1	=	49.27	
L2	=	53.36	
L3 ¹⁾	=	63.55	

Cuvette

R	=		
R1	=	12.04	
R2	=		
R3	=		
r	=		

Chambre à poudre

E	=	3.16	
P1 ¹⁾	=	11.99	
P2 [*]	=	11.24	

Cône de raccordement

alpha ^{1)*)}	=	34°30'	
S [*]	=	67.37	
r1 max	=	1.27	
r2	=	3.05	

Collet

H1 [*]	=	8.70	
H2 ¹⁾	=	8.65	

Prise de rayures

G1 ^{1)*)}	=	7.89	
G ¹⁾	=	6.19	
alpha1 [*]	=	71°25'48"	
h	=	0.53	
s	=		
i ^{1)*)}	=	1°22'	
w	=		

Canon

F ^{1)*)}	=	7.62	
Z ¹⁾	=	7.82	

Rayures

b	=	4.49	
N	=	4	
u	=	254.00	
Q	=	47.55	mm ²

Notes: 1) A' contrôler pour la sécurité
3) Feuillure sur la cone de raccordement
* Dimensions de base