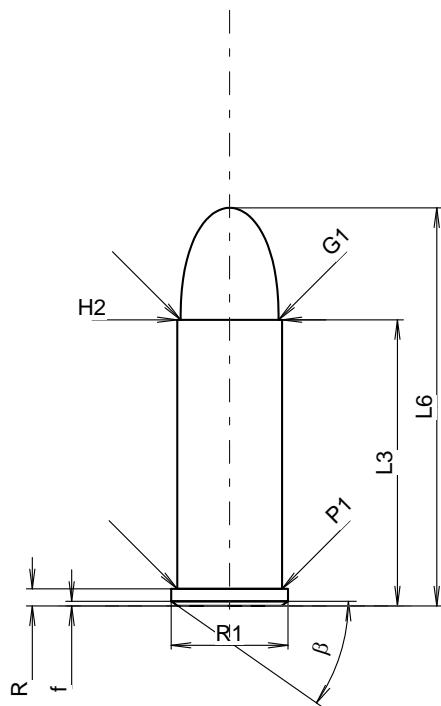


C.I.P.**32 S.&W. Long**

TAB.	IV
Date	84-06-14
Révision	09-05-05

Pays d'origine: US

Marquage alternatif: 32 Colt New Police

**CARTOUCHE MAXI****Longueurs**

L1	=	
L2	=	
L3 ¹⁾	=	23.37
L4	=	
L5	=	
L6	=	32.51

Culot

R ¹⁾	=	1.40	-0.25
R1	=	9.53	
R3	=		
E	=		
E1	=		
e min	=		
delta	=		
f	=	0.38	
beta	=	35°	

Chambre à poudre

P1	=	8.56
P2	=	

Cône de raccordement

alpha	=	
S	=	
r1 min	=	
r2	=	

Collet

H1	=	
H2 ¹⁾	=	8.56

Projectile

G1 ¹⁾	=	8.00
G2	=	
F	=	
L3+G ¹⁾	=	34.51

Pressions (Énergies)**Méthode transducteur**

Pmax	=	1000 bar
PK	=	1150 bar
PE	=	1300 bar
M	=	12.50

Autres indications

Fe ¹⁾⁴⁾	=	0.25
delta L	=	

CHAMBRE MINI**Longueurs**

L1	=	
L2	=	
L3 ¹⁾	=	23.90

Cuvette

R ¹⁾	=	1.40
R1	=	9.63
R2	=	
R3	=	
r	=	

Chambre à poudre

E	=	
P1 ¹⁾	=	8.67
P2	=	

Cône de raccordement

alpha	=	
S	=	
r1 max	=	
r2	=	

Collet

H1	=	
H2 ¹⁾	=	8.63

Prise de rayures

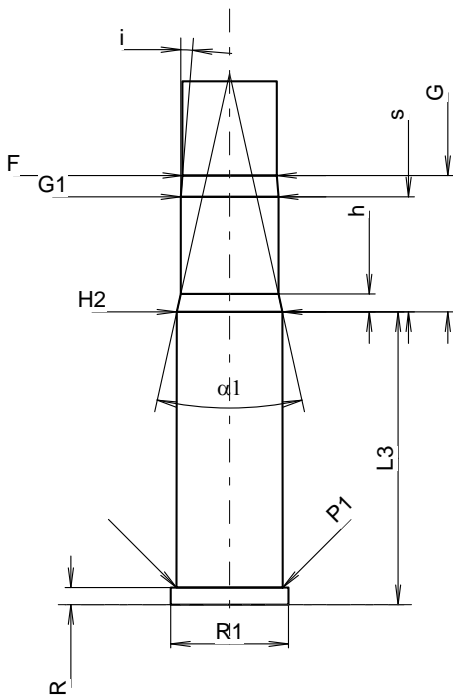
G1 ¹⁾ *	=	7.98
G ¹⁾	=	11.14
alpha1 *	=	25°
h	=	1.47
s	=	9.40
i ¹⁾ *	=	4°35'
w	=	

Canon

F ¹⁾ *	=	7.70
Z ¹⁾	=	7.92

Rayures

b	=	2.41
N	=	5
u	=	476.00
Q	=	47.91 mm ²



Échelle 1.62:1

Dimensions en << mm >>
Dimensions et tolérances pour les canons
d'épreuve: Voyez Annexe CR 1.

Notes: 1) A' contrôler pour la sécurité
4) Feuillure sur la bourrelet
* Dimensions de base